

BROCHURE VOLUME 11

THE  
**ALBION**  
BATH COMPANY  
— ENGLAND —



MANUFACTURERS OF FINE BATHROOM EQUIPMENT  
SUPPLIED DIRECTLY FROM OUR FACTORY



# FOREWORD

## THE RISE OF THE SMALL BATHROOM

We've been in business now for over 18 years and it's gone by in a flash. In 1996, we set out with a simple but ambitious challenge - to make the finest Free Standing baths on the market. By developing the Iso Enamel material two years before, we gave bathing fans a long overdue and superior option to cast iron and acrylic. Over this period we've constantly added bath models and this year, we've been particularly busy. Take a look at our new Advance models, in the Neptune, Geminus, Solus and Trident variations. These new baths bridge the link between traditional and modern, giving you timeless design. Have a look at page 44, 54, 61, and 64 to get a feel for these exciting new models. To make the small bathroom extra special, we've added three sizes to the Tubby Torre family, together with the brand new Origine range of baths - luxury bathing in a compact size.

We've also been busy creating a clever new metallic finishes that we're calling Polished Pewter and Aged Copper. This system deposits reflective metal on the bath's exterior, giving a corrosion resistant, shiny surface that's durable and easy to clean. It follows our ethos of using modern technology to improve classical styles.

Sorry to bang on but there's one more thing to announce! We've extended our range of options of Vanity and Console Basins with granite surfaces fabricated in house. More sizes, styles and options.

We'll leave you in peace now to enjoy the new brochure. There are more new products inside so, as always, give us a call to create your dream sanctuary.

Warmest regards,

*The Albion Bath Co.*

All at THE ALBION BATH CO LTD



Brochure Volume 11  
Copyright 2014

THE ALBION BATH COMPANY LTD



24-25



130-133



126-129



114-119



50-51

# CONTENTS



## BATH TUBS - PAGE 10

What we are known for. A fantastic choice of beautiful bath tubs made from our unique Iso Enamel material. And with so many different variations, we'll have you spoilt for choice - everything for bathrooms big and small.



## TAPS AND SHOWERS VALVES - PAGE 76

Precision engineered water fittings and valves to give years of loyal service. Choose from cutting edge modern to faithfully styled traditional designs. Find out new ways of getting wet!



## BASINS, CONSOLES, TOILETS - PAGE 100

Carefully designed and selected ranges of fine Sanitaryware. Made from fine Italian Vitreous China, Fireclay and Granite, Albion's comprehensive offering will bring your new bathroom to life. With all sizes catered for, there's no need to skimp on the 'smallest room'.



## SHOWER ENCLOSURES - PAGE 140

Made using exclusively 10mm toughened glass and high performance stainless steel fittings, Albion shower enclosures can be tailored to your exact bathroom needs.



## BATHROOM HEATING - PAGE 150

No need for wet towels. Avoid that misery all year round with centrally heated and electrically powered radiators and towel warmers.



## What makes an Albion Bath unique?



“the hard, gloss surface has a difference you can feel”

Back in 1992, Albion's founders had a mission - to create the ultimate bathtubs. After studying the marketplace and analysing other baths it was clear that only two materials were available at the time. Acrylic, which is a soft plastic, had become popular in the 1970's due to its ease of manufacture and low cost. This was coupled with acrylic's ability to be made in different colours that were fashionable - who can forget those avocado and chocolate brown suites! However, acrylic's inherent qualities fell short of what the customer really wanted. Its flexibility was always an issue. Many people reported a dread, even a fear, of taking a bath as they felt the tub might break under their weight. Also, people said that acrylic was easy to scratch and always had a 'cheap plastic look about it'. These shortcomings remain today.

Cast Iron, has been used for approximately 120 years and had gained a reputation for being the 'real-thing' However, cast iron baths have many drawbacks, such as excessive weight, incredible heat loss from the bathing water and a proneness to surface chipping. Homeowners also found that modern liquid cleaners would immediately ruin the white interior surface. After two years of development, Albion had it sorted. A new

material was created from an amalgam of high technology resin and a special reinforced mineral. Manufactured in our own factory, this material was named Iso-Enamel due to its high strength and hard surface. This formulation, when mixed, is cast into moulds and allowed to harden. The result is a strong, durable and luxurious construction that will give years of bathing enjoyment. Also, Albion baths will keep your bath water hotter as the material insulates rather than loses heat. To this day, our patented process is unique and offers benefits that other materials cannot provide.

Our range of baths are split into two families: Roll Tops, having a soft rolled edge and Bull Nose which are characterised by a continuous form from inside to outside.

Our Roll Top baths can be finished to an exterior colour of your choice, from the Dulux Trade or Heritage range, one of our three exclusive burnished metallic finishes, or perhaps one of the new additions to our finishes - Polished Pewter or Aged Copper.

To find out more, just give us a call on: **01255 831605**



# BATH CONTENTS

Page 10 - AEGEAN
Page 12 - TUBBY FAMILY
Page 22 - ETRUSCAN
Page 24 - APOLLO
Page 26 - SARTENE
Page 28 - SANTORINI
Page 30 - MONTEFRESCO
Page 32 - PAOLA
Page 34 - IMPERIUM FEET
Page 36 - IMPERIUM PLINTH
Page 38 - COPO
Page 42 - NEPTUNE SLIPPER
Page 44 - NEPTUNE ADVANCE
Page 46 - CEMORA
Page 48 - GEMINUS FAMILY
Page 56 - LILYE
Page 58 - SAFINOR
Page 60 - SOLUS FAMILY
Page 62 - TRIDENT
Page 64 - TRIDENT ADVANCE
Page 66 - ORIGINE FAMILY
Page 70 - EFFUSIO OVERBATH SHOWER SYSTEM
Page 74 - BATH FITTINGS



# BATH FINISHES

Let Albion customise your bath exterior with our unique, hand applied finishes.



BURNISHED BRONZE



BURNISHED IRON

**BURNISHED METALLIC:** This is a four coat painting process that creates a swirly, mottled metallic surface that has a subdued, low level of reflection. We provide three colour options in the burnishing range: Bronze, Gold and Iron - all shown.

**POLISHED PEWTER:** LEFT - A new addition to our range. We create this by depositing metal particles directly onto a highly polished bath surface. This is then buffed and sealed with a high performance lacquer. The surface is slightly mottled and highly reflective; this resembles polished cast iron. This process follows Albion's principles of using modern technology to enhance traditional styles.



BURNISHED GOLD

**PAINTING: BELOW** - Simply select any Dulux colour for your bath exterior. We can provide any finish from the Dulux ranges. All we need from you is a colour name or code and we'll do the rest. The hand applied process gives a slightly textured finish that is hard wearing, washable and will stand the test of time. If you fancy a change of colour in the future, the surface can be painted over.



**SMOOTH FEET UPGRADE** - Upgrade the standard 'ball and claw' foot for a more contemporary look with this smooth finish.



**AGED COPPER: BELOW** - Another new addition to our stable of finishes; the Aged Copper has the highly reflective surface of copper but without any risk of tarnishing.



# AEGEAN

'Once in, you won't want to get out!'

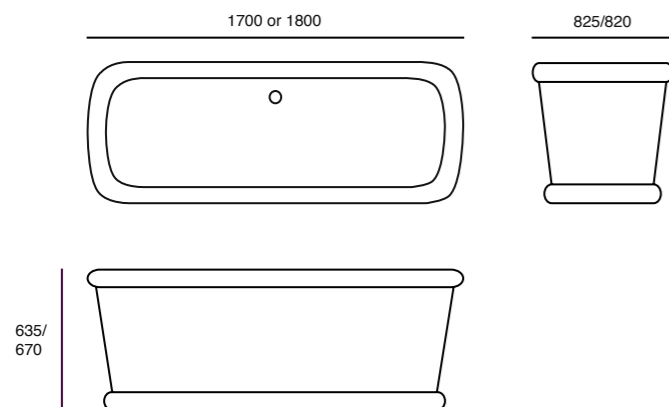
The Aegean Bath is manufactured using Albion's unique stonecast process resulting in a bath that is over 7cm thick. Inspired by the Fire-Clay baths of New York in the early 20th Century, Aegean is a must for those who delight in sumptuous bathing. The Aegean is available in two sizes. The 1700mm long model will suit regular size bathrooms but for those wanting to make a more dramatic statement - (if this is possible, the 1700 long bath is hardly discreet) - an 1800mm long version is offered. As with our Etruscan bath, the Aegean has a clever integral overflow System that is actually cast into the wall of the bath. This feature maintains the visual elegance of the exterior design. The bath is intended to be used with either wall mounted taps or taps mounted on stand pipes.



10

11

'Deep, sumptuous bathing  
in two size options'.



All sizes are nominal - please refer to our current price list.



# THE TUBBY FAMILY

'When size matters choose the ultimate luxury in the smallest of rooms'



Above: Tubby Torre & Duo with optional painted exteriors  
Wallpaper supplied by Little Greene: 'Fern c.1960 - Yellow'

'At last - no need to sacrifice  
bathing luxury in a small bathroom.'

Left: Tubby Tub & Too finished in Black and Burnished Gold  
Wallpaper supplied by Little Greene: 'Bonaparte - Red Gold'



Customise in a Burnishing or  
Dulux colour of your choice -  
Suitable for Tubby Tub & Too



Customise in a Metallic, Burnished  
or Dulux colour of your choice -  
Suitable for Tubby Torre & Torre Duo

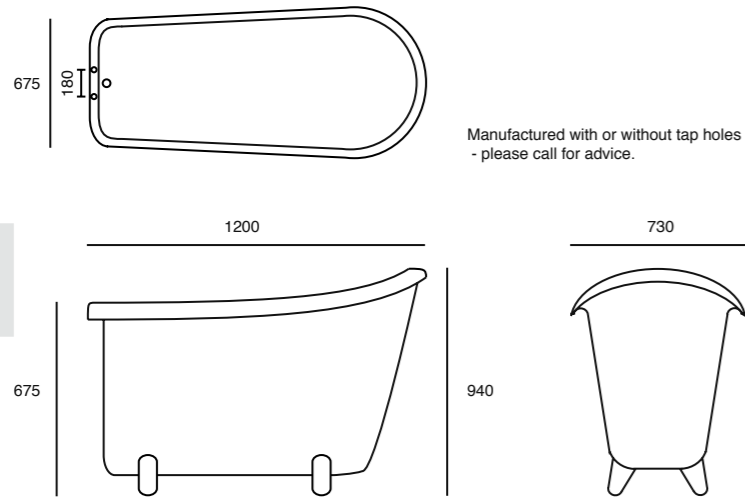


# TUBBY TUB

'Ultimate luxury in the smallest of rooms'

Our Tubby Tub is quite simply unique. Created for the tiniest of bathrooms or even (if you dare) for installation in your bedroom! Measuring only 1200mm (4ft) in length, Tubby is incredibly deep. This results in a short, compact bath that still allows an average sized person to submerge themselves. Tubby, as with other Albion roll top baths can be finished to a Dulux Trade colour or one of our 3 metallic "Burnished" finishes on the exterior surface. Taps can either be rim mounted or if specified, the Tubby Tub can be cast with a continuous roll top and the taps then mounted on an adjacent wall or on Albion stand pipes. The feet are supplied in the traditional style and cast, using grey iron. Naturally, we can finish these in a number of options, Chrome or Nickel plating, Burnished Gold Iron or Bronze, or choose any Dulux colour.

Wallpaper supplied by Little Greene: 'Bonaparte - Red Gold'



All sizes are nominal - please refer to current price list.



NEED MORE INFORMATION? CALL 01255 831605



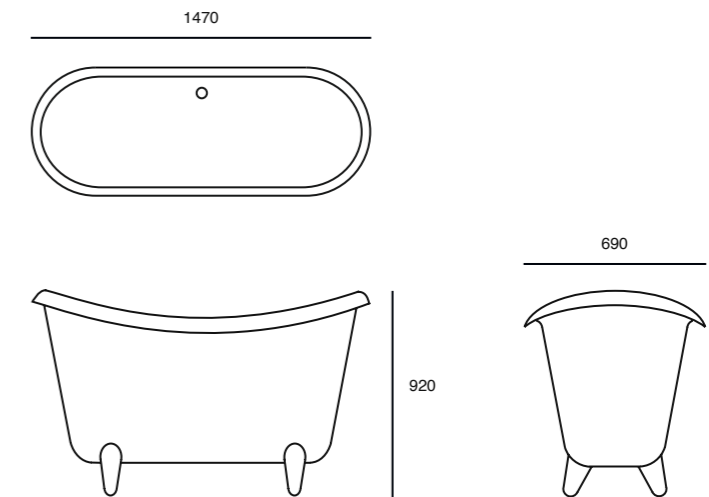


# TUBBY TOO

'Super-deep for super-comfort in a compact size'

Due to the overwhelming success of our Tubby bath, we decided to add to the fun with a double-ended version. Still as deep and still suitable for the smaller bathroom, Tubby Too provides a bit more space with the beauty of a symmetrical form. Supplied on cast iron legs, Tubby Too can be placed close to a wall or in the middle of a room. The bath can be used with taps that are either wall-mounted or atop Albion's sturdy stand pipes. Why not let Albion finish the bath exterior in a Dulux Trade colour or one of our 3 metallic "Burnished" finishes. Additionally, the feet can be "Burnished" or painted to your chosen colour. Just think, a bath that's customised for you! Give us a call to discuss all the options available.

Wallpaper supplied by Little Greene: 'Bonaparte - Red Gold'



All sizes are nominal - please refer to current pricelist.



NEED MORE INFORMATION? CALL 01255 831605





'Now manufactured in three sizes - the perfect solution for the small bathroom'

# TUBBY TORRE

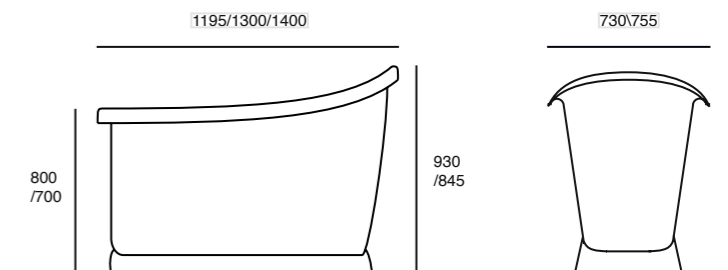
Due to the overwhelming success of our unique Tubby bath we introduced the Tubby Torre range. This design follows the use of an original Tubby modified with a purpose built plinth. As with the original Tubby design, the Tubby Torre bath is comfortably deep and still suitable for the smaller bathroom. The Tubby Torre bath, as with other Albion roll top baths can be finished to a Dulux Trade colour of your choice, one of Albion's three metallic "Burnished" finishes or for the ultimate, go for the Polished Pewter or Aged Copper. We've also been busy in our

development department by creating a new, integral overflow system for this model. This incorporates a pipe that is cast into the wall of the bath and dispenses with the external overflow pipe. To avoid any visual intrusion, this stunning new model is supplied without a tap ledge - so use either wall mounted taps or a mixer tap on beautiful stand pipes. Please call us for full information on these exciting baths.

Wallpaper supplied by Little Greene: 'Fern c.1960 - Yellow'



Customise in a Burnishing or Dulux colour of your choice.



All sizes are nominal - please refer to current pricelist.



# TUBBY TORRE DUO

Only 1500mm long- maximum bathing comfort in a compact length.

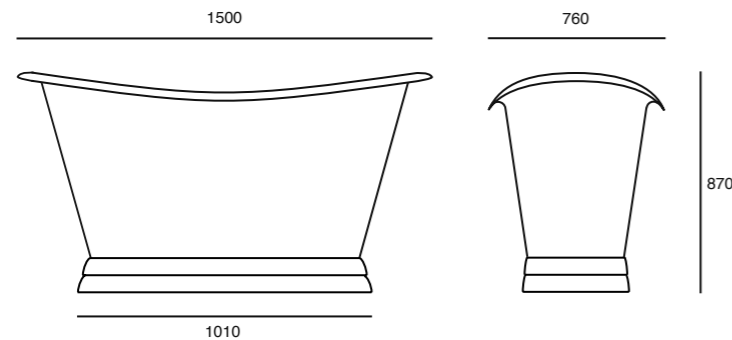
Yet another addition to the popular range of Albion Tubby baths. The Tubby Torre Duo has our trademark integral plinth and gives you maximum bathing space in a compact length of 1500mm. It's generous depth gives you deep, luxurious, sumptuous bathing without compromise - there isn't any need to feel cramped with a Tubby bath!



Customise in a Burnishing or Dulux colour of your choice.

The bath exterior can be finished in a number of options - Burnished Gold, Iron or Bronze, or choose any Dulux colour. To choose the ultimate, take a look at Albion's polished metal finishes of Polished Pewter and Aged Copper.

Wallpaper supplied by Little Greene: 'Fern c.1960 - Yellow'



All sizes are nominal - please refer to current pricelist.



NEED MORE INFORMATION? CALL 01255 831605

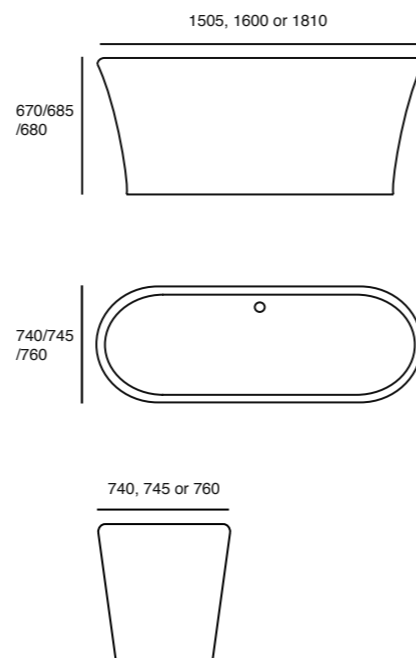


# ETRUSCAN

'A simple, elegant and solid creation'

The Etruscan bath is manufactured using Albion's unique stonecast process resulting in a bath that is over 5cm thick. This manufacturing process enables a truly stone like bath to be made. Warm to the touch and insulative, this material will keep the bathing water warm. Available in Hard White and utilising our exclusive 'Iso-Enamel' coating material, the bath incorporates

our ingenious integral overflow system. This feature dispenses with a normal overflow fitting and keeps the exterior of the bath free from visual intrusions. This timeless design can be used in modern, contemporary or classical situations and provides you with a palette of ideas. To cater for all sizes of bathroom, the bath is available in three sizes - see below.



All sizes are nominal - please refer to current pricelist.

Three sizes manufactured - perfect for both small and large bathrooms



NEED MORE INFORMATION? CALL 01255 831605

22

23



Two sizes manufactured -  
regular and super large for the ultimate statement.



# APOLLO

'A fusion of modern and classical design. Timeless appeal guaranteed'

The design of our Apollo bath was influenced by a growing number of customers wishing to combine both modern and classical styles. With soft curves giving maximum comfort being combined with a smooth and simple exterior form - this meeting of ideals has become an obvious choice for those wishing to create a warm, contemporary but timeless feel.

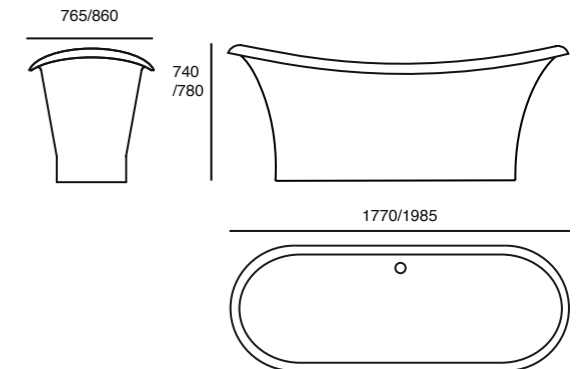
The models shown are finished in Burnished Bronze (left) and Aged Copper (below). Alternatively, choose any Dulux colour to create your own personal sanctuary.



25



Customise in a Metallic, Burnished or Dulux colour of your choice.



All sizes are nominal - please refer to current pricelist.



# SARTENE

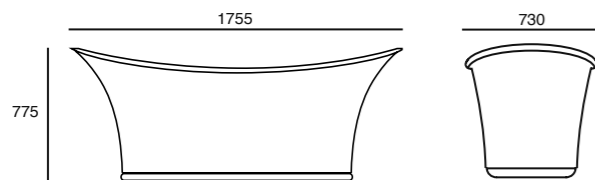
'Mediterranean styling and luxurious comfort'



26

27

Sartene is a small town in southern Corsica. This beautiful town retains its mediaeval roots and has been a source of local wine for the entire island. Surrounded by granite hills, Sartene is both timeless and handsome. Our Sartene bath captures the feel of this area with strength, beauty and durability coming as standard. Comfort and lasting design are unique hallmarks of the Sartene. Naturally made from our Iso-Enamel and cast to a thickness of up to 50mm thick, this bath is a new and exciting addition to the Albion family. Already gaining applause from the design industry, like all other Albion designs, the Sartene is set to become a star in a sea of mediocrity.



All sizes are nominal - please refer to current price list.



# SANTORINI

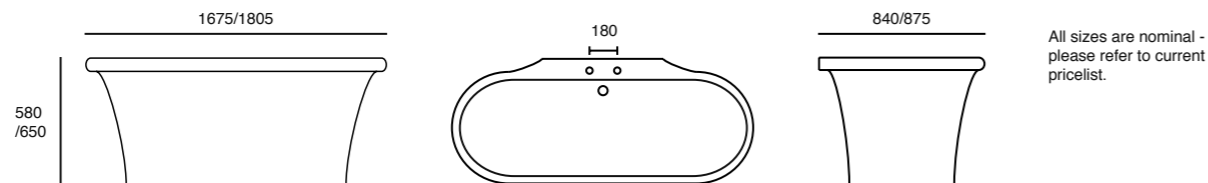
'Beauty, comfort and practicality'



The concept of the Santorini was to create a bath that is comfortable and beautiful. The design was to echo original 'Fireclay' baths of the early 20th century that had a continuous white surface from the inside to outside. These baths had generous curves that gave the bather maximum comfort and greater depth. With this in mind, we finalised the design of Santorini and gave it a beautiful 'bull-nose' rim. This feature enhanced the solid construction given by our material. To add some practicality, we added a wide tap ledge that allows the bath to be fitted against the wall. This ledge also provides a useful area to put your bathing lotions - and of course, that essential glass of wine! Santorini is provided with tap holes as standard but if not needed, please let us know and they won't be drilled - how's that for simplicity! Two sizes are supplied. See left for details.

28

29





# MONTEFRESCO

'Inspiring relaxation'

Albion's latest offering, the Montefresco, combines the charm of a traditional slipper bath and the clean lines of a modern straight to floor bath. Influenced by the original French tin baths of the early 1900's, providing simple yet striking design, great care has been taken to ensure the legendary Albion comfort for the bather, allowing you to wind away hours in complete relaxation. The Montefresco would provide timeless design to any bathroom, or even a bold statement in a bedroom. With a generous deck area at the foot of the bath, allowing the taps to be mounted on the bath, while making a feature of the pipe shrouds. As with Albion's other roll top baths, you can have the exterior painted in any Dulux Trade colour or indulge in one of Albion's exclusive "Burnished" finishes, allowing you to tailor your bathroom design to your exact taste.

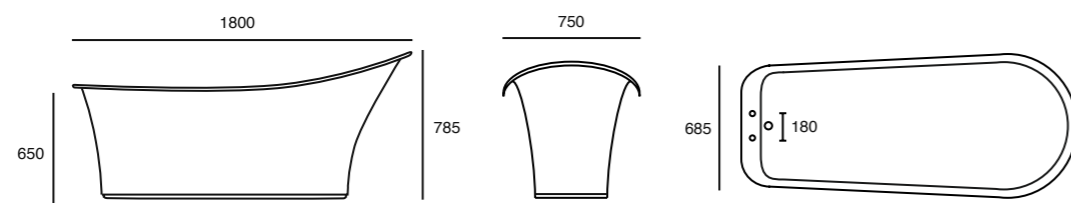
30



Create the perfect bath and shower combination with Albion's unique Effusio over-head shower system.

Designed to be fitted over any of Albion's free standing baths, the Effusio system combines beauty and functionality. The picture below shows the Montefresco bath with the Effusio system and the optional 12 inch diameter shower head, soap basket and hand shower. To cater for large or small baths, the Effusio system can be supplied in a number of different sizes. Please call us for advice on how you can combine bathing and showering in one beautiful package.

31



All sizes are nominal - please refer to current pricelist.



Customise in a Metallic, Burnished or Dulux colour of your choice.



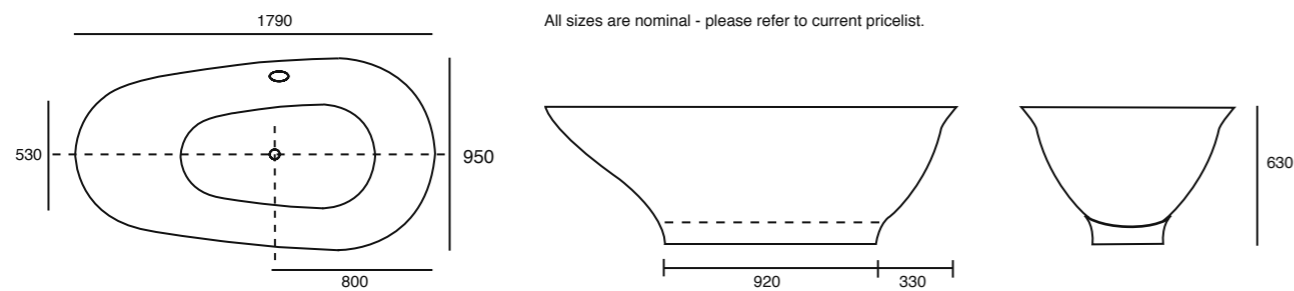
# PAOLA

'Classic Curves with a Modern Twist'

The Paola follows Albion's ethos of combining progressive design with traditional twists. Smooth curves and contours ensure comfy bathing - Paola is a must for those who like to bath together. Naturally, made from our unique Iso-Enamel material, the Paola freestanding bath will be the key feature for many modern and classically modern bathrooms. Take a look at the smooth form and gracious rimmed edge. These are features that our unique bath material allow us to create - and why put up with cheap acrylic and cold cast iron anyway! For more information regarding sizing, prices and how to combine this bath into your bathroom design, please give us a call.



32







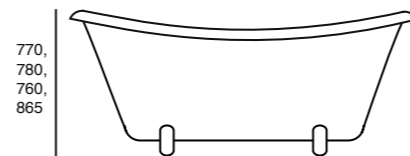
Customise in a Burnishing or Dulux colour of your choice.

# IMPERIUM FEET

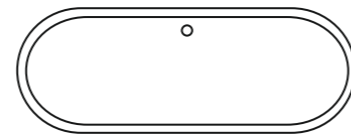
'Sized for your bathroom - big or small'

The ever popular Imperium design is available in 5 different sizes to cater for bathrooms big or small, the Imperium can suit all locations. Manufactured in our own works using the unique Albion Iso-Enamel system, Imperium, as with other Albion Roll Top baths, the exterior surface can be finished to a Dulux Trade colour or one of our 3 metallic "Burnished" finishes.

Taps can be either side mounted in the bath or fixed to an adjacent wall. Alternatively the taps can be mounted on Albion's stand pipes if the bath is to be located in the middle of your new bathroom. The ball and claw feet are cast from traditional grey iron and bolted securely onto the tub with substantial bolts. This provides adjustment for uneven floors.



1645, 1765, 1820, 1990, 2170



770, 760, 870, 855, 860



All sizes are nominal - please refer to current pricelist.





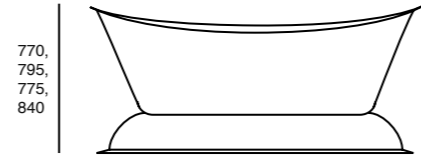
# IMPERIUM PLINTH

'Beautiful bateau bath mounted on an elegant plinth'

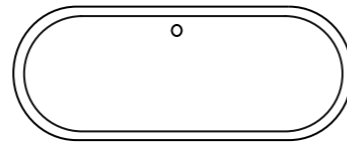
As with the Imperium Feet Bath, the variation of the theme carries onto a superbly crafted Bateau Bath mounted on a solid plinth. This design echoes the luxurious French baths manufactured in the late 19th and early 20th centuries. In fact, Albion closely scrutinised original designs and laboured to maintain the original charm but enhance the bath's comfort. For example, take a look at the backrest angle - this feature alone took 14 prototypes to master. Our objective was to create a bath that combined the style of the past yet give the most relaxed bathing experience. Available in 5 different sizes to cater for all size of bathroom! Manufactured in our own works using the unique Albion Iso-Enamel system, Imperium, as with other Albion Roll Top baths, the exterior surface can be finished in any Dulux Trade colour or one of our 3 metallic "Burnished" finishes. Please call to discuss.



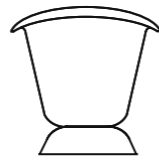
Customise in a Burnishing or Dulux colour of your choice.



1645, 1765, 1820, 1990, 2170



770, 760, 870, 855, 860



All sizes are nominal - please refer to current pricelist.







38

# COPO

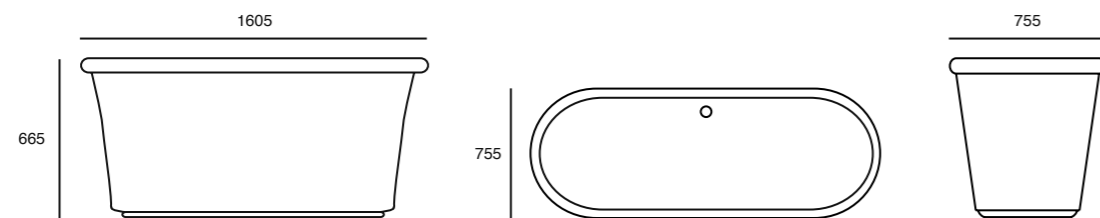
'Inspired by a simple, everyday object'

Inspired by the simple shape of a coffee cup, the Copo (Portuguese for cup) is beautifully deep and luxurious. As with our other designs, Copo utilises our Iso-Enamel material giving natural strength and rigidity. The soft lines of the design promote visual smoothness resulting in a timeless form. Its generous depth will give sumptuous bathing for the largest of folks and our Iso-

Enamel material will ensure your water stays hotter for longer. Available at present in one size, although slightly shorter than a standard bath, will give ample room. To keep the design pure, the bath rim is not provided with tap holes, therefore Copo, is to be used with wall mounted taps or taps on stand pipes. This timeless design can be used in modern or classical locations.



39



All sizes are nominal - please refer to current pricelist.



'The Copo bath with our timeless Ethos console basin creates the perfect classical bathroom'.





# NEPTUNE

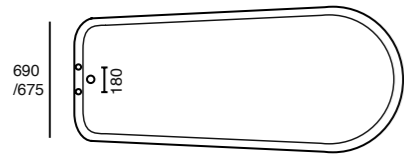
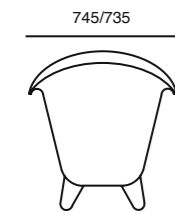
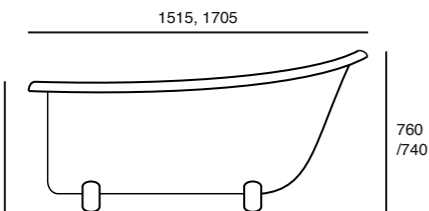
'A classical, timeless slipper bath'

Albion's take on the ever classical slipper bath has resulted in two sizes of bath. It's gentle up-sweep to the rear and generous depth give the bather a sanctuary to retreat. The smaller version at 1500mm long is more suited to a compact bathroom yet will still give ample space and comfort. If space allows, use the 1720mm long model for that bold statement. The classical feet are cast from traditional grey iron and secured by an adjustable

fixing system. This will allow adjustment for undulating floors. The exterior of the Neptune baths can be customised to a colour of your choice. Simply choose any Dulux Trade colour or opt for one of our three metallic "Burnished" finishes to enhance your new bathroom. The baths are available with or without tap holes; this allows the taps to be mounted on the rim of the bath or on the Albion stand pipes.



Customise in a Burnishing or Dulux colour of your choice.



All sizes are nominal - please refer to current pricelist.





# NEPTUNE ADVANCE

'The ever popular Slipper bath gets a new brother'

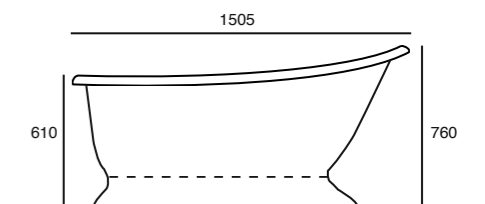


New for 2015 is our new Neptune Advance. It combines all of the comfort of our perennial Neptune Slipper bath but with the addition of an integral plinth. Along with its aesthetic appeal, the plinth can hide any unsightly waste pipe plumbing and contain the essential P-Trap and fittings.

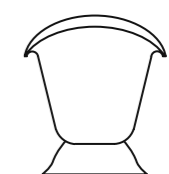
As with our original Neptune bath, this new model can be manufactured with or without tap holes, (the non tap-hole, 'Full Roll' version is shown). These options give you the opportunity to position your taps in any suitable location. As with all Albion baths, the Neptune Advance bath can be fitted with our unique Effusio overhead shower system - see page 70-71 for details.



All sizes are nominal - please refer to current pricelist.



745



Customise in a Metallic, Burnished or Dulux colour of your choice.

Picture Shows: Neptune Advance Slipper bath with Manette Mixer Taps on Stand Pipes, Yolda Close Coupled Toilet and Hamar Basin on Dalby Vanity Unit.





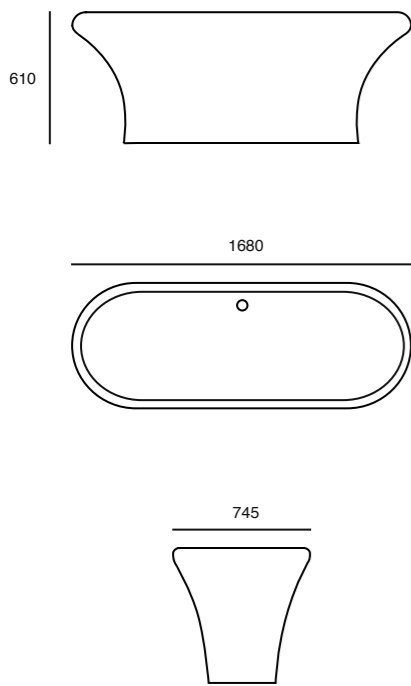
# CEMORA

'Welcome yourself back to the art of relaxation'

Designed for contemporary locations Cemora combines visual solidity together with graceful curves. The rounded design lends itself to a multitude of bathroom styles and will always be soft on the eye. The double ended style naturally provides comfortable bathing for two. As the bath is not hindered with tap holes, both wall or stand pipe mounted taps

can be utilised. The Cemora bath is be fitted with the Albion 'Push Waste' system that dispenses with that old fashioned bath chain Available in one size and constructed with our patented formulation to provide years of bathing enjoyment. Rediscover the art of relaxation!

46



All sizes are nominal - please refer to current pricelist.







# GEMINUS

The quintessential Roll Top bath. A stunning range of seven different models.

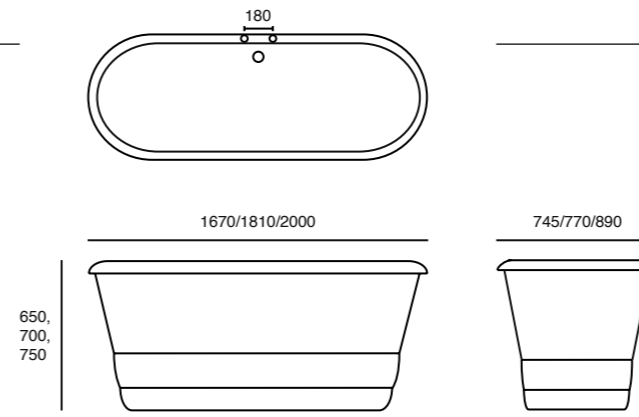


# GEMINUS PLINTH

'The ever popular double ended bath with a twist'

The ever popular double ended bath crafted with our unique plinth design. At the design stage, consideration was given to bathing comfort and ample depth whilst retaining a timeless classical design. Available in three sizes to cater for both small and large rooms and provided with or without tap holes. As with all fine Albion bath tubs, the Geminus Plinth bath is manufactured from our unique Iso-Enamel construction and

can be painted on the exterior surface in a Dulux Trade colour or one of our 3 metallic "Burnished" finishes. This will allow you to co-ordinate to your design objectives. With its timeless lines, the Geminus Plinth bath can be matched to all styles of taps and showers. Furthermore why not use the Albion Effusio shower system over this bath? Ultimate bathing combined with ultimate showering.



Customise in a Burnishing or Dulux colour of your choice.

All sizes are nominal - please refer to current pricelist.

50

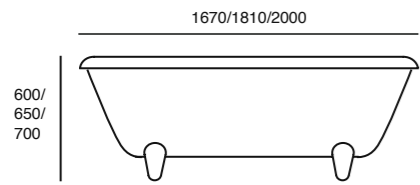


51

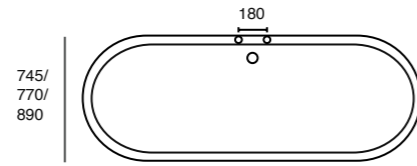


# GEMINUS FEET

'The Quintessential Roll Top Bath'



All sizes are nominal - please refer to current pricelist.



Customise in a Burnishing or Dulux colour of your choice.

A quintessential Roll Top Bath that epitomises the genre. Deep, sumptuous and comfortable, there really is no reason not to have one of these! Geminus can be located adjacent to a wall or sat proudly in the middle of your luxury bathroom. Taps can be rim mounted through tap holes, wall mounted,

or atop Albion's solidly made brass stand pipes. Geminus is manufactured in three sizes - see dimensions opposite. We have two styles of feet available for traditional or modern settings; both are made using traditional grey iron.



52



53



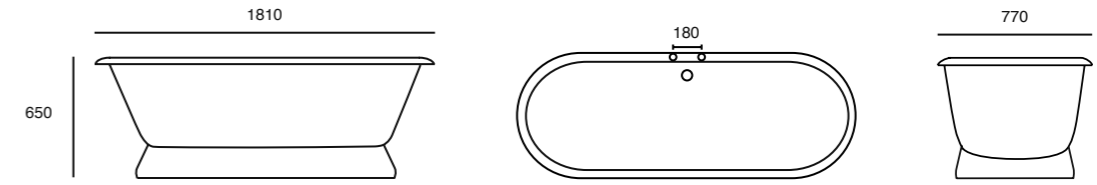
# GEMINUS ADVANCE

'A Modern Classic'

Brand new into the Albion stable, The Geminus Advance Plinth bath is a truly stunning combination of modern yet classical design. Perfect for all genres of luxury bathroom, the Geminus Advance will enhance your bathing experience. As with all Albion Baths the Geminus Advance is using our unique Iso-Enamel material. This is a cast stone that is strong, durable and doesn't suffer the disadvantages of cast iron - principally extreme weight and heat loss from your bathing water. The Geminus Advance is sized at 1810mm x 770 and has generous depth for the most sumptuous bathing. Supplied with or without tap holes, this new addition to our range is suitable for most tap formats.



Customise in a Metallic, Burnished or Dulux colour of your choice.



All sizes are nominal - please refer to current pricelist.

54



55







# LILYE

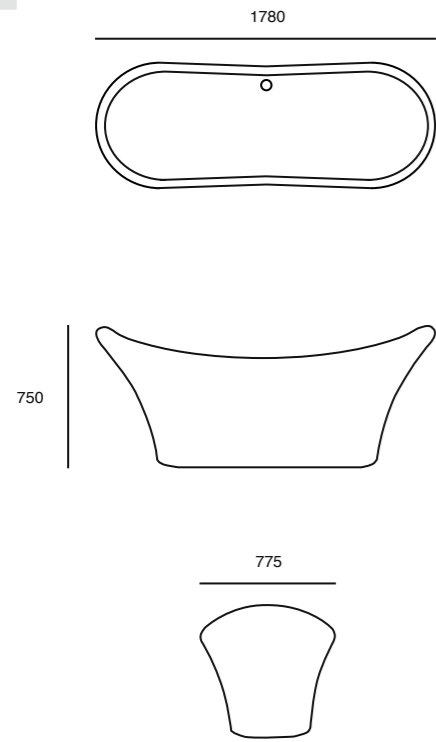
'A sweeping, solid form'

A modern take on the generic Bateau Bath, Lilye is comfortably stylish and sumptuous. With one size available, this bath can be used with either wall or stand pipe mounted taps. Suitable for classical and modern environments and naturally, constructed in our own factory using the unique Iso Enamel material, Lilye is solid and durable. With its soft form and

timeless design, Lilye is a genuine investment in your home. Its high ends and generous angles provide a bath that is comfortable for two! With ample water depth, Lilye is a sanctuary in a world of chaos. Please refer to our sales department for advice on the required waste and tap fittings as Albion can provide for all fitting locations.



56



57

All sizes are nominal - please refer to current pricelist.



# SAFINOR

'Combining comfortable bathing with practical showering'

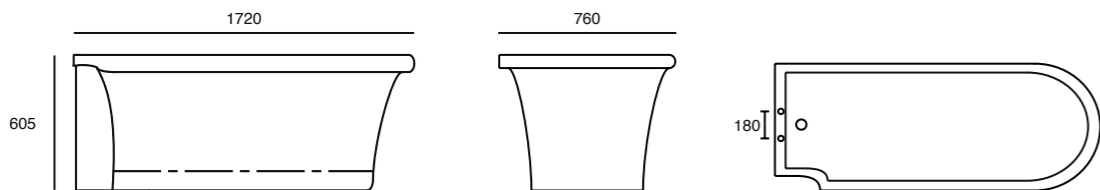
Following from the successful Trident Shower Bath, our new Safinor provides the same practicality but with added style. By using our unique Iso Enamel material, we are able to recreate the beautiful designs made famous by the fireclay baths of the early 20th century. These classical designs adorned the grandest hotels and homes of the period - giving the rich and famous of the day, the most sumptuous bathing experience. You too, can

now indulge. By combining comfortable bathing with practical showering, the Safinor bath will bring stunning design into everyday use. For more information regarding sizing, prices and how to combine this bath into your bathroom design, please give us a call.

Tiles supplied by Mandarin Stone: 'Baroque White/Blue'



All sizes are nominal - please refer to current pricelist.



58

59



# SOLUS

'The Traditional Gentleman's Bath'

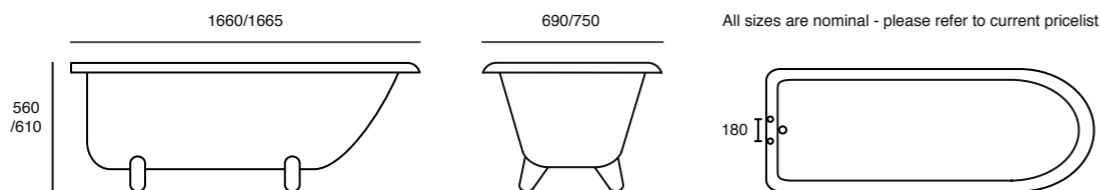
Often referred to at Albion as the 'Gentleman's bath', Solus was the first model to be produced by ourselves. Found hiding away in a Colchester reclamation yard, an original cast iron bath was hurriedly put into our vehicle and taken away for special moulds to be produced from its original form. By this process, we knew that the proportions and style would be faithfully recreated. Unfortunately this is not true of cheap acrylic baths whose lines are simply incorrect. To enhance the Solus range we soon added another size to cater for larger bathrooms. You can choose from taps to be mounted on the rim or go for the Full Roll Top version with no tap holes. This allows a choice of wall or stand pipe mounted taps. The bath exterior can also be finished in any Dulux Trade colour or one of our 3 metallic "Burnished" finishes.



Customise in a Burnishing or Dulux colour of your choice.



60



# SOLUS ADVANCE

'A new twist on a traditional classic.'

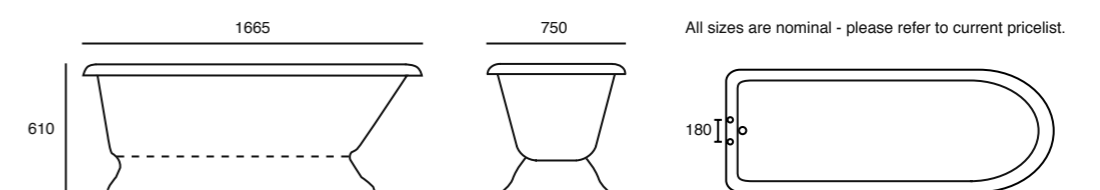
Our brand new Solus Advance bath has arrived. It marks the first in a new series of Free Standing Plinth Baths. Measuring 1665mm long x 750mm wide, the Solus Advance provides ample bathing space without overpowering the average size bathroom. Supplied with or without tap holes, this bath can be used with tap and stand pipe combinations (as shown) or with taps mounted directly on the rim of the bath. Its gentle curves typify classic bathroom style and moves neatly away from

any concerns one may have with ball and claw feet. Made from our unique Iso-Enamel material, the Solus Advance bath retains precious heat in your bathing water whilst weighing less than half of an equivalent size cast iron bath. As with all Albion Roll Top baths, the exterior can be finished to a colour of your choice - simply call us for exterior finishing options.

Wallpaper supplied by Little Greene: 'Albemarle St. c.1760 - Gold'



61





# TRIDENT

Another classic in the Albion range, Trident provides the beauty and comfort of the free-standing bath together with the convenience of a shower. The Trident is manufactured so two of the edges fit directly against the bathroom wall. This means the bath edge can be sealed to the wall and an effective shower can be created. The bath is provided in two sizes both in left and right handed versions (left hand shown). To make the most of the showering possibilities, choose one of our bath mixer taps with

the overbath shower head. The overbath showers can also be provided with a useful hand shower. For those wishing to 'push the boat out', why not choose either the 8" or 12" diameter shower heads. As with other Albion baths, the exterior colour and feet finish can be to your choice. Please call for advice and pricing options.

Tiles supplied by Mandarin Stone: 'Laccio Pink & White'



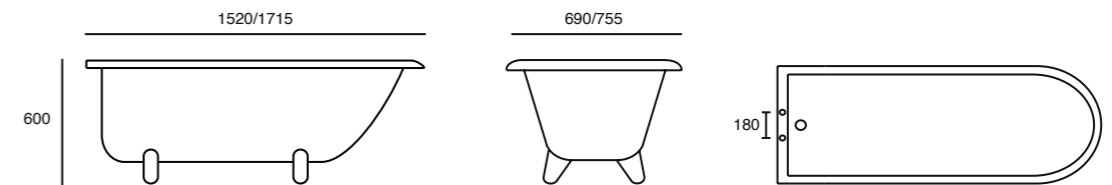
Customise in a Burnishing or Dulux colour of your choice.

'Luxury bathing and an invigorating shower - made simple'

62



63



All sizes are nominal - please refer to current pricelist.



# TRIDENT ADVANCE

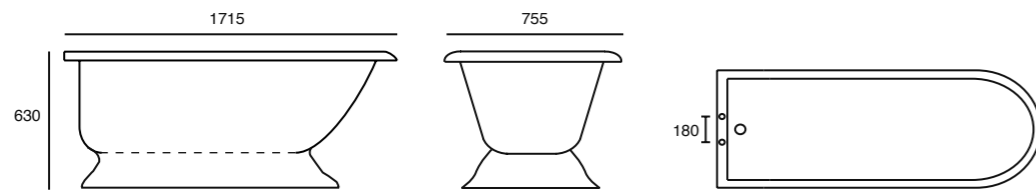
The logical answer to combined bathing and showering.

Following on from the new designs of Geminus and Solus Advance baths, the Trident gets a new member of the family. Currently, we are manufacturing this bath in just one popular size - 1715mm long x 755mm wide. To suit your layout, the bath is made in both left and right handed versions and supplied with or without tap holes. For total design freedom, the Trident Advance exterior can be finished in four different ways. Choose any Dulux colour, choose from three different burnished metallic finishes or why not 'push the boat out' with one of our new polished metallic finishes of either Polished Pewter or Aged Copper. The bath shown is fitted with our combined glass and curtain system for total showering practicality. For advice on finishes or installation, please give us a call.

Tiles supplied by Mandarin Stone: 'Laccio Pink & White'



Customise in a Metallic, Burnished or Dulux colour of your choice.



All sizes are nominal - please refer to current pricelist.







# ORIGINE

A new take on our traditional classics and sized for the small bathroom.



Customise in a Metallic, Burnished or Dulux colour of your choice.

We've taken two of our 'evergreen' classical designs and put a more contemporary slant on their style. Taken from our ever popular Solus and Geminus baths we have created the two new Origine models in both a single and double ended format. Our rationale was to offer the same comfortable bathing but provide a style for a more progressive setting. The unique feature of this range is the compact overall dimensions we have achieved without changing the comfy internal size.

The Origine range is supplied without tap holes, therefore taps can be mounted on our stand pipes (see our tap range for details) or for visual simplicity and to save space, choose wall mounted taps. All six ranges of Albion taps can be used with the Origine baths.

As with other Albion Baths, the Origine bath exteriors range can be finished in either painted Dulux colours, metallic Burnished finishes of Gold, Iron or Bronze, or to make a dramatic statement, choose our new Polished Pewter or Aged Copper exterior finishes.

Wallpaper supplied by Little Greene: 'Reverie - Jungle'





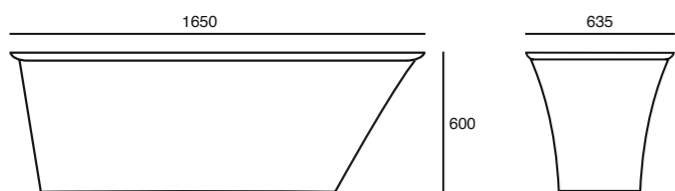
68

# ORIGINE SINGLE

Specifically designed for a small, or narrow bathroom, the Origine Single will combine luxurious bathing in a compact space. Measuring 1650mm long but just 635mm wide, the Origine Single can grace a small, narrow room yet still maintain bathing comfort.

The Origine baths continue the concept of the Montefresco model with our slim 'Flared Edge' bath rim. This creates a visually delicate edge that suits both classical and 'cutting edge' modern bathrooms.

The Origine Single bath exterior can be finished in three different systems - any Dulux colour, three choices of metallic burnishing or our new process of Polished Pewter and Aged Copper.



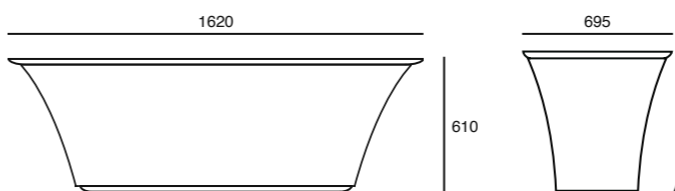
All sizes are nominal - please refer to current price list.



69

# ORIGINE DOUBLE

Taken directly from our Geminus bath, the new Origine Double Ended model gives you ample bathing space in a compact size. Measuring only 1620mm long and 695mm wide, this new bath is the perfect solution for the space-challenged bathroom. Our new thin, delicate rim design maximises internal volume - giving you space in which to relax. Choose wall or stand-pipe mounted taps, and to customise this bath to your own style, opt for the exterior to be finished in either any Dulux colour, one of the three burnished metallic finishes or our new polished metal finishes of Aged Copper or Polished Pewter. Call us for advice on how to create your perfect bathroom.



All sizes are nominal - please refer to current price list.



# OVERBATH SHOWERS

Combine your Free Standing Bath with a functional overhead shower

You can install our Effusio Over-bath Shower over any Albion Free Standing Bath. This gives you the benefit of combining luxury bathing with a functional and powerful shower. The unique design allows the bath to be located anywhere in the bathroom as this system does away with the need for any wall support. Suitable for all ceiling heights from 2.3 metres to

4 metres. To add to the fun, why not upgrade the standard 5" diameter shower head to the stunning 8" or 12" diameter option. Additionally, a useful hand shower and soap basket can be added. The Effusio rail system is available in four sizes to suit all sizes of Albion Baths. Get the best of both worlds - luxury bathing and showering in one package! Call us for installation advice.



Opposite: Effusio Shower, Rising Pipe and standard 5" Rose | Top: Effusio Shower Track, Rising Pipe and 12" Rose  
Bottom, Left: Effusio standard 5" Rose | Centre: Effusio optional 8" Rose | Right: Effusio optional 12" Rose

70

71



# OVERBATH SHOWER UPGRADES

Albion overbath shower upgrades allow you to tailor your bathroom to your every need. Add Albion's optional riser cradle and divertor to your Effusio to allow a flexible hand shower option - ideal for rinsing your hair whilst in the bath. Enhance

your showering experience with Albion's 8" and 12" shower head upgrades for that superb drenching shower. Why not add a handy riser mounted soap dish and complete your perfect bathroom.



# ALBION'S ISO ENAMEL BATHS

## Your questions answered

Q. How difficult is it to install a freestanding bath?

A. It's very easy and much simpler than installing a built-in tub. The hot and cold water feeds and the waste pipe are all standard connections. Furthermore, Albion can supply all the exposed plumbing components if needed. These are finished in Hard Chrome or Bright Nickel to match Albion taps.

Q. I've looked at many other Freestanding baths. Why are Albion baths so much better?

A. Our unique manufacturing process and material produces a bath that is strong, durable and hard wearing. When compared to acrylic baths, our material is stronger and more solid. Our Iso-Enamel coating has a hard, glossy feel without the semi-transparent look of acrylic. When compared to cast iron, Albion baths are roughly a third of the weight and retain the heat in your bathing water. Cast iron baths actively cool your water due to its thermal shortcomings. Our Iso-Enamel material can be cleaned with all non-abrasive liquid cleaners. In short, Albion has created a material that is strong and solid yet easy to live with.



Q. Do I always need the exposed plumbing parts such as the P Trap and polished pipe work?

A. Not always. It depends on which bath you choose and how it is located. For example, the Etruscan bath can have normal plastic plumbing components underneath. Baths with feet may need the exposed P Trap and polished pipe work to finish off your new bathroom project. As this depends on individual requirements, please call all us for advice.

Q. Many of Albion's baths sit directly on the floor. How is the waste plumbing arranged underneath?

A. All bath waste systems need a component called a P-Trap. This stops foul air from the drains returning into your bathroom. Albion baths that sit directly on the floor (models such as Aegean, Etruscan and Copo) can have this P-Trap directly under the floor of the bath but above your floorboards. If you can route the waste water pipe under your floor boards, then simply connect the bath outlet to the under floor plastic

pipe with the supplied fitting kit. If however, the waste pipe cannot be routed under the floor, then the waste pipe will need to be routed through the side-skirt of the bath. Your plumber can easily drill a hole through the side skirt in a position of his or her choosing.

Q. I have heard that cast iron baths can only be cleaned with soapy water. What can Albion baths be cleaned with?

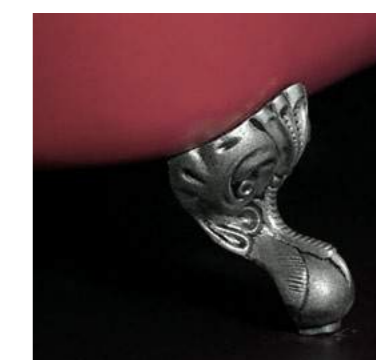
A. Albion baths can be cleaned with any modern non-abrasive liquid cleaner. The Iso-Enamel surface is chemical resistant and hard wearing. For lime scale build-up, we recommend using a dedicated lime scale remover and then immediately rinsing the surface with warm water. Repeat this process until the lime scale has dissolved. We would not recommend the use of abrasive powders or creams. These products simply grind off dirt but scratch the surface of any material.

Q. If I am unfortunate enough to damage my Albion bath, can it be repaired?

A. For scuffs and scratches, use a good quality car polishing cream such as T-Cut.

Q. Your brochure shows bath exteriors in many different colours. What finish can I have and how do I choose?

A. The models shown with exterior colours are members of our 'Roll Top' family. These can be painted in any Dulux Trade colour or one of our three metallic "Burnished" finishes. To choose a Dulux Trade colour simply give us the colour name or code from Dulux's colour



swatches and we'll do the rest. We don't need to know your colour choice at the point of ordering. As long as we have your colour choice two weeks before delivery, your bath will be delivered on time - as you will appreciate, anytime after this will delay production. Bath

models, such as Sartene, Etruscan and Copo, are members of the 'Bull Nose' family. These are always supplied with a white continuous interior to exterior finish. You can also choose various finishes to the bath feet such as our unique Burnished process, Nickel or Chrome plating or a Dulux Trade colour.



# BATH FITTINGS

Albion manufacture the full range of complimentary fittings to enhance your Free Standing Bath. The stand pipes shown can be used with both modern and traditional bath taps. To be used on baths without tap holes, Albion Stand Pipes will grace your new bath when positioned away from an adjacent wall. For baths with tap holes, use pipe shrouds as shown below - right.

If using side mounted Globe Taps, use the polished pipe feeds shown directly below. A full range of exterior plumbing components are available from 'P'-Traps to waste pipes, elbows and joints. All these fittings are naturally supplied in Hard Chrome and Bright Nickel to match your taps.

'Enhance your new bathroom installation with mirror polished bath fittings'



74

**Above:** Mixer Tap shown on Stand Pipes. Two heights available for standard or tall baths - finished in Hard Chrome



**Top:** Globe Tap Pipe Feeds and Albion's Bath Waste with polished overflow pipe - finished in Bright Nickel  
**Bottom:** Polished 'P' Trap and Floor Waste Pipe - finished in Bright Nickel



**Above:** April Stand Pipes shown to suit Tubby Tub (800mm high) - 700mm height also available for all other bath models, please call for advice



75

**Above:** Bath with tap holes fitted with Pipe Shrouds and Albion's Bath Waste with polished overflow pipe. Also fitted with polished 'P' Trap and Floor Waste Pipe - all finished in Hard Chrome



# ALBION TAPS & SHOWERS

Six ranges of reassuring quality:

Page 78 Amie

Page 82 Beaufort

Page 86 Manette

Page 90 April

Page 96 Penny

Page 98 Loren

76



“Before despatch, Albion Taps are immersed in hot salt water for 12 hours. If any surface blemishes appear, the entire batch is rejected”.

77

All Albion taps are manufactured to exacting standards. By using only fine brass that conforms to BS5412, Albion taps meet worldwide standards for purity and quality. With six ranges to choose from, there's a style for everyone. From classical traditional to cutting edge and modern, Albion taps and showers are the essential ingredient to your new bathroom. Choose from simple, clean designs or go for bold and dramatic statements - the choice is yours. To test our Hard Chrome surface, four randomly chosen taps from each batch are immersed in hot salt water for 12 hours. If any surface blemishes appear, the entire batch is rejected. Either finished in Hard Chrome or Bright Nickel, Albion taps and showers give you a choice of style, function and finish. Showers and taps are the major mechanical element in the bathroom and need to stand up to modern living. So why skimp on cheap, inferior products?



“Finished in Hard Chrome or Bright Nickel, Amie is the ultimate choice for the classical bathroom”



Amie Taps and showers are suitable for high and low water pressure systems.



**Right, Top:** Amie Basin Pillar Taps | **Centre:** Amie Basin Bridge Mixer | **Bottom:** Amie 3 Hole Basin Mixer

# AMIE

Continental style with smooth, quarter-turn valves

With echoes from Paris in the early 20th century, Amie's curvaceous, yet functional, form falls gently into the hand. The ceramic water valves provide a smooth action that adds to the tactile nature of Amie. This range is suitable for all types of domestic and commercial water systems and exhibits excellent flow rates. As with all Albion taps, Amie is

reassuringly manufactured from high quality brass conforming to all worldwide standards for purity and lead content. Deck and wall mounted bath taps are supplied to suit baths with various hole formats. Finished in Hard Chrome or Bright Nickel, Amie covers all options for bath, basin and shower.



**Left, Top:** Amie Mono Bidet Mixer | **Centre:** Amie Mono Basin Mixer | **Bottom:** Amie Wall Mounted Bath Filler



**Right, Top:** Amie Concealed Bath Filler | **Centre:** Amie Deck Mounted Bath Filler | **Bottom:** Amie Wall Mounted Bath Shower Mixer



**Left, Top:** Amie Concealed Basin Filler | **Bottom:** Amie Bath Shower Mixer on Stand Pipes



# AMIE SHOWERING

Choose either 5, 8 or 12 inch diameter shower heads

Amie Showers are suitable for:

- Gravity Water Systems (a pump may be required)
- Combination boiler systems
- Pressurised hot water systems

Please call for advice

At last - Shower fittings that match your Taps!

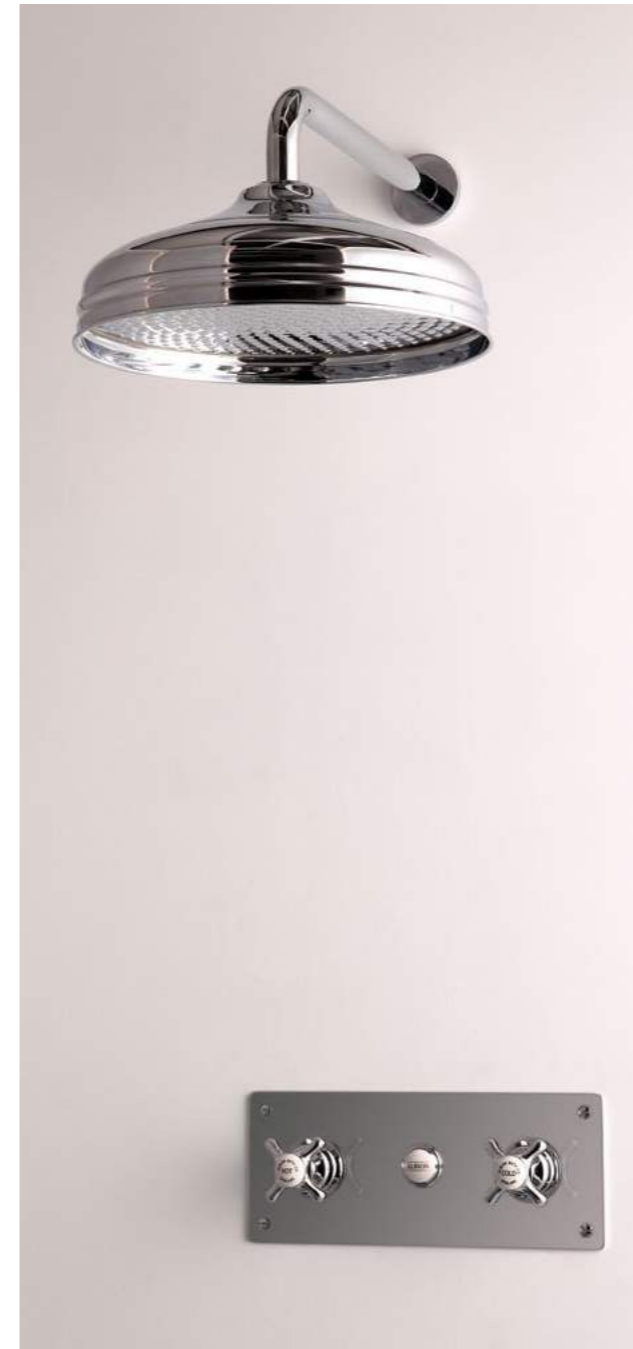
For the most fantastic showering choose Albion's range of pressure balanced showers. As opposed to normal thermostatic showers, Albion's product is designed to give excellent water flow at low pressures together with easy temperature control. Suitable for all hot water systems, the Amie tap range is supplemented by a matching range of shower valves and heads. Additionally you can combine the Amie bath taps

with a shower to provide a genuinely exhilarating experience. Furthermore, the useful hand spray is available, perfect for rinsing your hair! As with all our water fixtures, these pieces are cast and hand finished using the finest quality materials. Provided in Hard Chrome or Bright Nickel, Albion's fixtures, at last allow you to match basin, bath and shower.



**Above Left:** Amie Wall Mounted Bath Shower Filler with 8" diameter Shower Head in Bright Nickel.

**Above Right:** Amie Deck Mounted Bath Shower Filler with 8" diameter Shower Head in Bright Nickel.



**Above Left:** Amie concealed shower with optional 12" diameter Shower Head. Shown in Hard Chrome.



**Right, Top:** Optional 8" diameter Shower Head | **Centre:** Standard 5" diameter Shower Head | **Bottom:** Optional Riser Cradle, Divertor and Mounted Soap Basket





# BEAUFORT

Classically British

Intrinsically English in its style and luxurious in finish, Beaufort ticks all the boxes for bath, basin and shower. Precisely machined, original style valves give a reassuring action to water control. Every bath option is accommodated from the deck mounted Bath Shower Mixer with its convenient hand held shower to the beautifully simple Concealed Bath Filler. Choose either deck or wall mounting to suit your choice of bath. Mixer

taps can be located upon Albion's impressive stand pipes. Four options of basin taps are available dependent on your preference. Beaufort is compatible with all commercial or domestic water systems and is cast using the highest quality brass ingot - of course, this complies with all worldwide legislation for brass purity.



82

For the classical bathroom, Beaufort is the perfect choice. The complete range of bath, basin and showering options.



83

Left, Top: Beaufort Wall Mounted Bath Shower Mixer | Centre: Beaufort Bath Globe Taps | Bottom: Beaufort Basin Pillar Taps

Right, Top: Beaufort Bath Shower Mixer on Stand Pipes  
Bottom: Beaufort Basin Bridge Mixer

Top Left: Beaufort Concealed Basin Filler  
Centre Left: Beaufort Concealed Bath Filler  
Bottom Left: Beaufort Wall Mounted Bath Filler

Top Right: Beaufort Mono Basin Mixer  
Centre Right: Beaufort Mono Bidet Mixer  
Bottom Right: Beaufort Deck Mounted Bath Filler



High flow showers to compliment your Beaufort bath and basin taps.

Beaufort Showers are suitable for:

- Gravity water systems (a pump may be required)
- Combination boiler systems
- Pressurised hot water systems

If in doubt, please call for advice



**Top Left:** Standard 5" diameter Shower Head  
**Bottom Left:** Optional 8" diameter Shower Head

**Above:** Beaufort concealed shower with optional 12" diameter Shower Head

# BEAUFORT SHOWERING

Albion's unique range of pressure balanced showers provide the ultimate showering experience. As opposed to normal thermostatic showers, Albion's product is designed to give excellent water flow at low pressures together with easy temperature control. Suitable with all hot water systems the Beaufort tap range is supplemented by a matching range of shower valves and heads. With these products, the entire

bathroom can be co-ordinated with Albion's Beaufort products. No longer do you have to mix the bath and basin taps with a different looking shower valve. Also, why not combine the Beaufort bath taps with an overhead shower to provide genuinely exhilarating experience with your Albion bath. Please call us for advice on how the Beaufort range can work in your bathroom.



**Above Left:** Beaufort Deck Mounted Bath Shower Filler with 8" diameter Shower Head



**Above Right:** Beaufort Wall Mounted Bath Shower Filler with optional Soap Basket and 8" diameter Shower Head



# MANETTE

Simple elegance and ease of use

An extension to the Amie range, the Manette takes the same technology using quarter turn valves. This feature gives a smooth, simple and tactile operation, providing accurate flow and temperature control. The ceramic china levers are easy to swing into position without having to grip tightly - a must for soapy wet hands. As with the other Albion tap and shower ranges, Manette

encompasses the full range of options for bath, basin and shower. Choose from deck or wall mounted bath taps, all the way through to 3 hole basin and mono bidet mixers. Finished in Hard Chrome or Bright Nickel, Albion's new Manette range of brassware will enhance your new bathroom and provide years of loyal service.

Finished in Hard Chrome or Bright Nickel, Manette is a must for the classical bathroom.



86



87



**Top:** Manette 3 Hole Basin Mixer | **Bottom, Left:** Manette Mono Basin Mixer | **Centre:** Manette Bath Pillar Taps | **Right:** Manette Bidet Mixer

**Top Left:** Manette Deck Mounted Bath Filler  
**Centre Left:** Wall Mounted Bath Shower Mixer  
**Bottom Left:** Wall Mounted Bath Filler

**Top Right:** Manette Concealed Bath Filler  
**Bottom Right:** Manette Bath Shower Mixer on Stand Pipes



# MANETTE SHOWERING

Our pressure balanced shower system provides high flow with accurate temperature control

Manette Showers are suitable for:

- Gravity water systems (a pump may be required)
- Combination boiler systems
- Pressurised hot water systems

If in doubt, please call for advice



**Top Left:** Standard 5" diameter Shower Head  
**Bottom Left:** Optional 8" diameter Shower Head



**Above Right:** Manette concealed shower with optional 12" diameter Shower Head in Hard Chrome

Using Albion's unique pressure balanced system, the Manette range of showers is designed to match and compliment its tap collection. By using matching castings, we have ensured that a common design theme will apply across the bathroom brassware. The pressure balanced system allows high water flow together with accurate temperature control and avoids

the reliability pitfalls of a thermostatic shower system. As with the tap collection, the showers are finished in Hard Chrome or Bright Nickel and caters for all required layouts of exposed and concealed showers. To enhance your showering experience, choose from a selection of 5", 8" or 12" diameter shower heads. Maximum showering pleasure guaranteed!



**Above Left:** Manette Deck Mounted Bath Shower Filler with optional 8" diameter Shower Head in Bright Nickel



**Above Right:** Manette Wall Mounted Bath Shower Filler with optional Soap Basket and 12" diameter Shower Head in Bright Nickel



# APRIL

Modern simplicity with modern practicality

Finished in Hard Chrome, April provides simple, angular styling. A full range is offered covering all options for bath, basin, bidet and showering. Manufactured to our own high standards of tolerance and finishing, these fixtures are an exciting way of getting wet!



Top, Left: April Deck Mounted Bath Filler | Right: April Wall Mounted Basin Filler | Bottom: April 3 hole Basin Mixer

Top Left: April Mono Bidet Mixer  
Bottom Left: April Wall Mounted Bath Filler

Top Right April High Level Mono Basin Mixer  
Bottom Right April Mono Basin Mixer



# APRIL SHOWERING

## Shower Valves, Heads and Accessories

Once again, we utilise the principle of our Pressure Balanced technology to bring high flow rates at lower pressures. The April shower range gives you easy to use lever controls for soapy hands with both hand and overhead shower heads for maximum invigoration.

Choose any of our shower heads to suit your design. For maximum impact, why not choose the dramatic 400mm diameter Slimline option with it's self cleaning water jets.

As with all Albion Taps and Showers, these water fittings can be used on all conventional heating systems.



**Above:** April Stand Pipes shown to suit Tubby Tub (800mm high)-700mm height also available for all other bath models, please call for advice.



Choose any of Albion's Shower Heads to create a dramatic showering experience.

Albion's April Shower system will give years of sterling service.



**Above:** April Pressure Balanced Shower with Hand Spray and optional 300mm round Slimline Shower Head



92



**Top:** Optional April 400mm round Slimline Shower Head  
**Above:** Standard April 200mm diameter Shower Head

93



# CHOOSE YOUR WEAPON

How wet do you want to get?

5 inch to 16 inch diameter Shower Heads finished in Hard Chrome, Bright Nickel and Stainless Steel.

Showering just got serious. Choose from a range of Shower heads, from a 5 inch diameter all the way to a stunning 16 inch diameter. With classical and modern styles to choose from, these Shower Heads will complete the task of creating the ultimate showering experience.

As these heads have a common 1/2" connection, you can use any head on any of our showers.

We've shown the shower heads connected to our ceiling mounted 'George Pipe', but a selection of wall mounted shower arms are also available.

These Shower Heads are suitable for most heating systems but due to the differing flow requirements, give us a call to discuss suitability with your heating system.





# PENNY

Modern curvature that's smooth to the touch

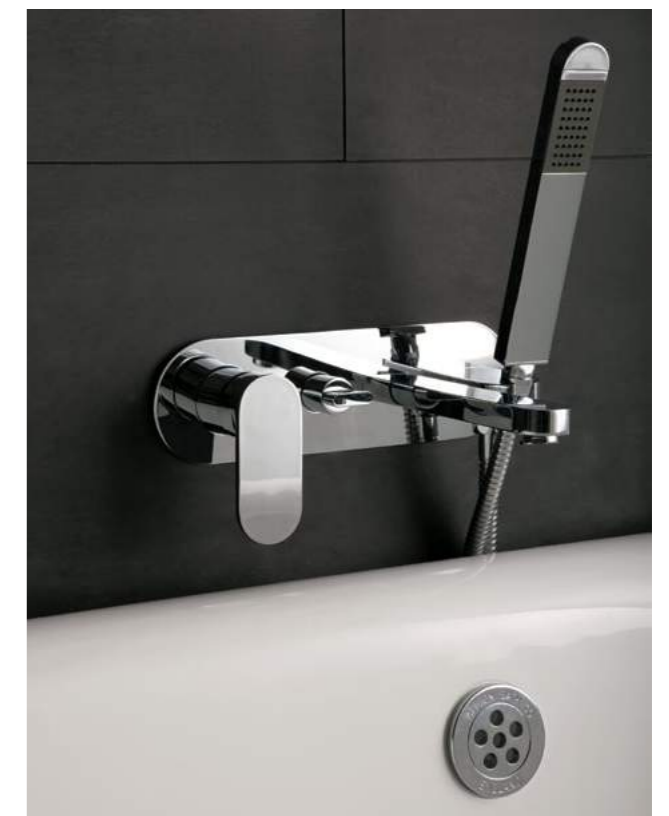
Penny comprises of a full contingent of bathroom taps and showers catering for those wishing to create a simple, clean appearance with a touch of curvature. As the name suggests, this design was inspired by simple coinage giving perennial worth in a basic form. Finished in Hard Chrome and suitable for all hot water systems, Penny is the answer for cutting edge design. High flow valves guarantee excellent performance.



**Top Left:** Penny Bidet Mixer inc. Pop Up Waste  
**Bottom Left:** Penny Wall Mounted Basin Mixer

**Top Right:** Penny Mono Basin Mixer inc. Pop Up Waste  
**Bottom Right:** Penny High Level Mono Basin Mixer

“Suitable for high and low pressure systems, the Penny range has a smooth, tactile feel, that’s a joy to use”.



**Left, Top:** Penny Pressure Balanced Shower with Hand Spray & 300 x 150 Rose | **Bottom:** Penny floor mounted Bath Shower Mixer with flexible shower handset

**Right, Top:** 400mm diameter slim line Shower Head | **Centre:** 300mm diameter slim line Shower Head | **Bottom:** Penny Wall Mounted Bath Shower Mixer with flexible shower handset



# LOREN

Cutting edge modernism arrives in the bathroom



98

99



Let your bathroom design ideas run wild with the new Loren taps and showers. The highly polished flat faces emit a reflection of any surrounding colour to enhance your bathroom's appeal - and take a look at the natty lever control. Just like an aircraft joystick, the lever will control both flow and temperature in one easy action. This range covers all options for bath, basin and high flow showering.

Top, Left: Loren Shower Head Collection | Right: Loren Wall Mounted Bath Shower Mixer | Bottom: Loren Wall Mounted Basin Mixer

Left: Loren Concealed Shower with Flexible Hand Shower | Right, Top: Loren Mono Basin Mixer | Bottom: Loren Mono Bidet Mixer



# ALBION SANITARYWARE

Whether you are looking for a simple, classical basin or a grand wash-stand, Albion have the choice. Take a look at the following chapter to see what fits the bill. Why not go for a vanity unit with a generous granite surface - you can store all of your essential bathroom items and still have room on the surface for your favourite lotions. Alternatively, consider the Ethos design with its range topping console basin. Naturally, if you need help, give us a call on 01255 831605 for further information.

Page 102 Volda Basins and Toilets

Page 108 Mistley Cast Iron Wash Stand and Toilets

Page 112 Dalby Vanity Consoles

Page 114 Formello Basins and Toilets

Page 120 Ethos Vitreous China Basins and Toilets

Page 124 Ortona Basin

Page 126 Tuscany Basins and Wash Stands

Page 130 Arrezzi Basins

Page 134 Roros Basins and Toilets

Page 136 Gemme Basins

Page 138 Hamar Basins and Vanity Consoles





# VOLDA

'Beautifully stylish with a traditional twist'

New to the Albion stable is our beautiful Volda Basins and Toilets. The range comprises of 5 sizes of basin, all are suitable to be wall hung, or can be mounted on either pedestals, legs or beautiful chrome basin stands. To add a touch of

practicality, specify the stylish towel rack - mounted integrally into the basin stand. Toilets are supplied in Close Coupled or Back to Wall format with a matching Bidet if needed.



102

103

Opposite: Volda Basin on Chrome Stand with Towel Rail  
Left, Top to Bottom: Volda 550 Basin on Pedestal | Volda 650 Basin on Pedestal | Volda 750 Basin on Pedestal

Right, Top to Bottom: Volda Back to Wall Toilet Pan | Volda Close Coupled Toilet | Volda 1100 Basin on Pedestal





104



105



**Opposite:** Volda Close Coupled Toilet and Volda Basin on Pedestal with Under Basin Towel Rail | **Top:** Volda 1100 Basin on Pedestal with Under Basin Towel Rail | **Bottom:** Volda Basin on Pedestal





107



**Top to Bottom:** Volda Basin on Pedestal with Under Basin Towel Rail | Volda 1100 Basin on Pedestal (same as above) | Volda Back to Wall Bidet and Toilet Pan | Volda Close Coupled Toilet





# MISTLEY

'Authentic, traditional and timeless quality'

The Mistley range of toilets and basin stands will create the ultimate in traditional design. Suitable for properties of a truly period nature, these pieces are designed to fit in all sizes of bathrooms. The basin stand and cistern can be finished in a colour of your choice - this allows a colour matched to your Albion bath. Simply choose any Dulux Trade colour or choose one of our three metallic "Burnished" finishes. The flush pipe, flush handle or chain pull can be finished in either Hard

Chrome or Bright Nickel. To eliminate internal corrosion, the Mistley cistern is cast from marine grade aluminium. This is then internally coated with a high technology epoxy coating. To ease installation, the fresh water inlet can be placed on the left or right hand side. Additionally, the chain pull or lever can be located on the left or right. An optional cast bronze plaque is available for those special bathrooms.

108

109



**Above, Left:** Mistley High Level Toilet finished in Burnished Iron with Bright Nickel Flush Pipe | **Right, Top:** Mistley Cistern Painted White with Bronze Plaque and Flush Arm | **Bottom:** Mistley Low Level Toilet.



# MISTLEY

‘Practical, functional and beautiful’

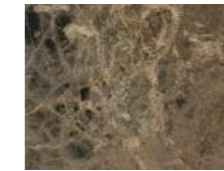
Practical, yet stylish, Mistley basins combine ample surface space with compact overall dimensions. Choose corner fitted or wall fitted with under-mounted bowls, or the wall mounted Mistley with a surface mounted Tuscany bowl. Four options of granite are available - Star Galaxy and Harvest (both shown), together with the dark brown Dio Stone and the mid-toned Grey Granite. The cast iron stands can be finished in a colour of your choice giving you complete design freedom with your colour scheme.



Harvest



Grey Granite



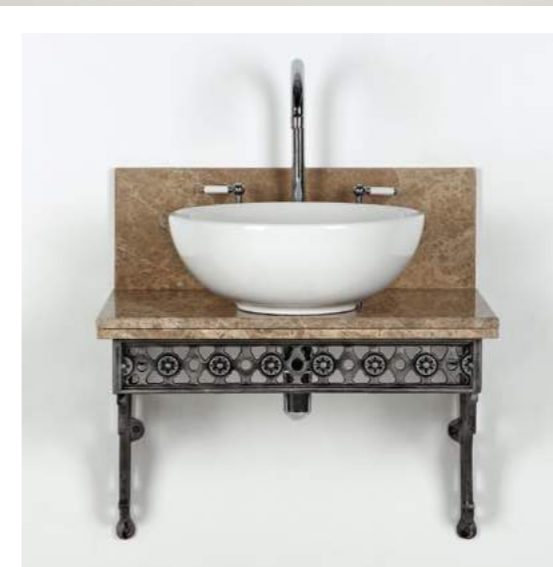
Dio Stone



Star Galaxy



**Top, Left and Right:** Mistley Corner Fitting Basin with Burnished Iron Basin Brackets. Granite Top shown in Star Galaxy.  
**Above, Left and Right:** Mistley Angeluz Basin with Burnished Iron 'A' Type Brackets. Granite Top shown in Star Galaxy Granite.



**Above and Left:** Mistley Wall Basin Stand with Tuscany Bowl. Basin Stand finished in Burnished Iron with Harvest Stone Top.

1 1 0

1 1 1



# DALBY VANITY CONSOLES



Introducing our new Dalby Vanity Consoles. With either a single, double or oval basins (double units only) the Dalby Vanity Consoles can be customised to a format and colour of your choice. Start by selecting either a single or double width then, for the double width unit, choose a single (left or right hand position), double or oval basin. To add to the choice, select from one of our

four stone colours shown below and we can drill the stone surface to suit your desired Albion tap. Then choose how you want the exterior to be finished. We can apply a fully waterproof paint in a Dulux Trade or Heritage colour. The ball shaped door handles can be finished in either Hard Chrome or Bright Nickel to match your taps - how's that for choice!

Choose double or single sizes and customise with a bowl and colour of your choice.



Harvest



Grey Granite



Dio Stone



Star Galaxy

Four choices of stone top to suit your desired colour scheme

1 1 2

1 1 3



# FORMELLO

'Graceful, classical curves'

A new range for Albion in 2011. Formello is a beautiful range, with fine feminine detail, giving a stunning overall look. This complete range is topped by the impressive console basin. Available on ceramic legs, Aluminium legs, ceramic supports or a chrome tubular stand, this truly is a statement basin. For those

with slightly less space, there are 3 size basins available in a mono or 3 hole format. To finish off the Formello range, there are five toilet options, a high level, low level, close coupled, back to wall and wall hung - a bidet is also available. The Formello range really does tick all the boxes.



1 1 4

Above: Formello Console Basin on Chrome legs with towel rack. Taps shown for illustration purposes only.



1 1 5

**Left Column:** Formello Close Coupled Toilet | Formello Low Level Toilet | Formello High Level Toilet

**Centre Column:** Formello Console Basin with Pedestal | Formello Console Basin with Ceramic legs | Formello Corner Basin on Pedestal

**Right Column:** Formello 560 Basin with Pedestal | Formello 690 Basin with Pedestal | Formello 730 Basin





Above: Formello Low Level Toilet and Bidet | Formello 560 Basin on Pedestal



Top: Formello 690 Basins on Pedestals | High Level Toilet and Bidet  
Bottom: Formello Close Coupled Toilet and Bidet | Formello Flat Top Console Basin on Aluminium legs







1 1 8



Top: Formello 690 Basin on Pedestal

Centre - Left to Right: Formello 690 Basin on Pedestal | Formello Bidet and Low Level Toilet | Formello Console Basin

Bottom - Left to Right: Formello Hidden Cistern Toilet and Bidet | Formello Console Basin with Ceramic Supports | Formello Wall Hung Bidet and Toilet | All Taps shown for illustration purposes only



Above: Formello High Level Toilet and Bidet





1 2 0



# ETHOS

'Classical Edwardian beauty'

**E**thos is a complete range of basins and toilets that hark from the Edwardian era. The range is topped by the fabulous console basin with its stout legs and broad flanks - a great place for your bathroom lotions. Slightly down the size scale is the 710mm wide basin that can be put on a china pedestal or tubular stand. For more compact rooms, the Ethos basin is available in a 600mm wide version. This too can be mounted on a china pedestal or tubular stand. Ethos basins are always supplied with three tap holes to suit '3-hole' basin taps. Alternatively, if you wish to use individual hot and cold taps, you then utilise Amie or Beaufort Pillar taps with the attractive central chain anchor.

1 2 1



**Top:** Ethos Console Basin with ceramic legs  
**Bottom, Left:** Ethos 600 Basin with Pedestal | **Centre:** Ethos 710 Basin with Pedestal | **Right:** Ethos Console Basin with ceramic legs

**Top:** Ethos 710 Basin with Tubular Basin Stand and Shelf  
**Bottom, Left:** Ethos 600 Basin with Tubular Basin Stand and Shelf | **Centre:** Ethos 710 Basin with Tubular Basin Stand and Shelf | **Right:** Ethos 710 Basin with Tubular Basin Stand





1 2 2

1 2 3

Three sizes of basin, three formats of toilet - Ethos creates *the* Edwardian bathroom.

- Top: Ethos Low Level Toilet shown with Walnut Seat
- Bottom, Left: Ethos Close Coupled Toilet shown with Walnut Seat
- Centre: Ethos Low Level Toilet shown with White Seat
- Right: Ethos High Level Toilet shown with White Seat



Top: Ethos Basin with Platinum finish legs | Bottom: Ethos Basin with Pedestal



# ORTONA

'Opulence in your new grand bathroom'



The curvaceous Ortona double basin is a bold statement for the grand bathroom. Measuring 1500mm wide, the Ortona gives you generous flat space to place all of your essential bathroom goodies. With two ample sized basins, there's no need to share your basin with anyone else - handy when your partner is not quite as tidy as you!

The Ortona is supplied with three tap holes on each basin, so choose 3-Hole basin mixer taps from the Albion ranges of Beaufort, Amie, Manette or April.



**Right:** Ortona Double Basin with Albion Manette Basin Mixers and Copo Bath with Manette Bath Shower Mixer on Stand Pipes.



# TUSCANY

'Practical, stylish and unique'

Characterized by generous, surface mounted bowls, Tuscan covers a range, from either single or double round surface mounted bowls, to the Ovalis oval bowls. Choose from four different styles of stone surface (shown on the next page) and select either the Farmhouse or Cabriole legged base. Albion

can customise your basin stand by painting in a Dulux colour of your choice - this allows you to match the exterior colour of your Albion bath! The double basin is sized at 1080mm wide where the single version is a compact 540mm wide. Choose Beaufort, Amie, Manette, Penny or April taps to complete.



**Top Row, Left:** Tuscan Double Cabriole Basin Stand with Granite Top | **Right:** Tuscan Double Cabriole Basin Stand with Granite Top, Splashback and Shelf



**Centre Row, Left:** Tuscan Double Farmhouse Basin Stand with Granite Top | **Right:** Tuscan Double Farmhouse Basin Stand with Granite Top and Splashback



126

**Above:** Tuscan Double Cabriole Basin Stand with Granite Top, Splashback and Shelf | Beaufort Basin Bridge Mixer Taps in Bright Nickel | Imperium Feet Bath with Beaufort Bath Shower Mixer on Stand Pipes in Bright Nickel



127

**Above:** Tuscan Double Cabriole Basin Stand with Granite Top, Splash Back and Shelf | Beaufort Basin Bridge Mixer Taps in Bright Nickel





128



**Top Row, Left:** Tuscany Single Farmhouse Basin Stand with Granite Top  
**Right:** Tuscany Double Farmhouse Basin Stand with Ovalis bowl and Granite Top

**Centre Row, Left:** Tuscany Single Cabriole Basin Stand with Granite Top and Shelf  
**Right:** Tuscany Double Cabriole Basin Stand with Ovalis bowl, Granite Top, Splash Back and Shelf

**Bottom Row :** Beaufort Basin Bridge Mixer Taps in Bright Nickel

**Opposite:** Tuscany Single Farmhouse Basin Stand with Granite Top and Splash Back | Beaufort Basin Bridge Mixer Taps | Imperium Feet Bath with Beaufort Bath Shower Mixer on Stand Pipes in Bright Nickel



Harvest



Grey Granite



Dio Stone



Star Galaxy

Four choices of stone top to suit your desired colour scheme....



# ARREZZI

'A fusion of classical and modern'

The Arrezi range has been re-born - after a period of 12 months we have reworked and re-invented this popular range. Now available in three widths of 1050mm, 900mm and 750mm wide, the new Arrezi range of basins are sized to work in bathrooms big and small. The basins can be wall hung or mounted on our new Concours Basin Stand. For extra style and practicality, add the optional granite shelf to your new basin. The basins can be supplied in either single or three tap hole formats. Choose from Albion's tap ranges of Beaufort, Amie, Manette or April to enhance your new Arrezi.



Above, Top to Bottom: Arrezi 1050 Basin with Shelf | Arrezi 750 Basin with Shelf | Arrezi 750 Basin | Opposite: Arrezi 1050 Basin with Shelf



130

131





Opposite: Arrezzi 1050 Basin with Shelf  
 Left Column: Arrezzi 750 Basin with Shelf  
 Right Column: Arrezzi 1050 Basin with Shelf

'Generous space for all those  
 bathroom essentials'



# ROROS

'Clean, simple and inspiring'

Comprising of a full range of basin and toilet options, Roros is a fusion of both modern hard lines and soft curvature. Roros basins are available in wall, counter-top or pedestal mounted - and with a large range of basin sizes, this design ticks all the boxes. The toilets are supplied in either 'Close-Coupled', 'Wall

Mounted' or 'Back-to-Wall' versions. Choose Albion's tap ranges of Beaufort, Amie, Manette, April, Penny or Loren to grace your Roros. With all the different options available, please give us a call for details of the full range.



**Above, Left Column:** Roros Double Basin | Roros 750 Basin with Back Ledge | Roros 650 Basin with Back Ledge | Roros 500 Basin with Back Ledge

**Above, Right Column:** Roros Close Coupled Toilet | Roros Back to Wall Toilet | Roros Back to Wall Bidet

**Right:** Roros Double Basin

**Opposite, Top:** Roros Back to Wall Toilet and Bidet

**Bottom, Left:** Roros Close Coupled Toilet and Back to Wall Bidet

**Bottom, Right:** Roros Wall Hung Basin



134

135





# GEMME

'Solid, classically styled and sized for your bathroom'

A new addition for 2015, our Gemme range combines solid styling for a broad range of design genre. With five different basin sizes there's a Gemme basin to suit all bathrooms. The basin can be fully wall mounted or mounted on our new Concours tubular basin stand. If you prefer, the Gemme basin can be mounted onto

a solid surface of your own - such as granite, marble or decorative hardwoods. With the exception of the 400mm wide and corner versions, the Gemme basins can be supplied with single or three tap hole options. Choose from any of Albion's basin taps to complete the look. Please contact us for more information.



137



**Opposite:** Gemme 1000mm wide Basin on Concours Stand and Roros Close Coupled Toilet  
**Inset Images Top Row:** 1000mm wide Basin | 700mm wide Basin  
**Inset Images Bottom Row:** 400mm wide Basin | 500mm Corner Basin | 500mm wide Basin



# HAMAR

Generous dimensions, practical storage and a choice of three sizes



139

**H**amar brings the bathroom into life. With the gentle curves of the ceramic basin combined with the classically styled vanity console, this new Albion design provides practical storage in a beautiful package. The Hamar basin is available in three sizes: - 1050mm wide, 850mm wide and 750mm wide. The basins are supplied with a single tap hole, so any of Albion's Mono Basin Mixers will complete the package. To customise, the Vanity Console base can be painted in a colour of your choice. Simply select any Dulux colour and we'll take care of the rest. Please call us for more information.





# ALBION SHOWER ENCLOSURES

## The technical advantages -

All Albion shower enclosures are manufactured using 10mm thick safety glass. This provides superior rigidity and durability. Toughened to BS6206, this glass is up to five times stronger than an equivalent sheet of normal glazing material. All edges, whether exposed or not, are bevelled and polished - this provides a luxury finish with superior optical appearance.

### 10mm Thick Glass - Rigidity Guaranteed.

Albion exclusively use 10mm toughened glass conforming to EN12150. Our glass is thicker and therefore stiffer than many other manufacturer's shower enclosures.

### Stainless Steel Fittings.

To provide the ultimate in corrosion resistant performance, Albion manufacture all the associated fittings from 304 grade stainless steel. This material, which contains 18% chromium and 8% nickel, has excellent corrosion resistance when in contact with different corrosive cleaning materials. Don't worry if liquid limescale removers are needed to keep your new shower clean - Albion's stainless steel fittings will stay looking pristine.

### Albion's Unique Low Level Shower Trays.

Like our bath tubs, Albion shower trays are made using our unique Iso-Enamel material. The strength of this material allows us to make the tray only 45mm high. Waste water is drained via 2 full size waste fittings hidden under our Albion drain plate. Watch the water disappear around the edge without any ugly visible plumbing fittings.

### A Vast Range of Sizes and Formats.

Choose from side entry or corner entry. Alternatively go for a 'Walk-In' format. Albion shower enclosures can be mounted on our unique trays or situated directly on a tiled floor.

For further information, why not give us a call on:  
01255 831605

Page 144 -  
Rectangular Side Entry

Page 146 -  
Square Side & Corner Entry

Page 148 -  
Door and Panel For Recess

Page 150 -  
Walk-In For Recess & End Entry



140

141



# RECTANGULAR SIDE ENTRY

# OFFSET CORNER ENTRY ENCLOSURES

Available in left and right hand versions, the side entry enclosure is ideal when a basin, bath or toilet needs to be situated alongside the enclosure. For installation on an Albion shower tray, three sizes are offered. If you wish to create a tiled shower floor then a staggering 21 variations are achievable.

Albion's corner entry enclosures provide the most common solution for bathroom layouts. Supplied in left and right hand versions with a wide range of sizes to suit all designs of bathroom. Please give us a call for further information.



1 4 2

1 4 3

Sizes available when used with a tiled floor

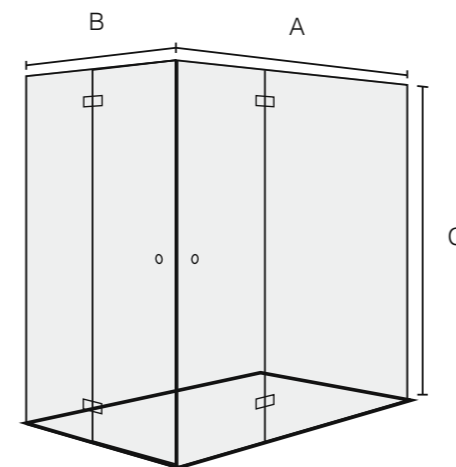
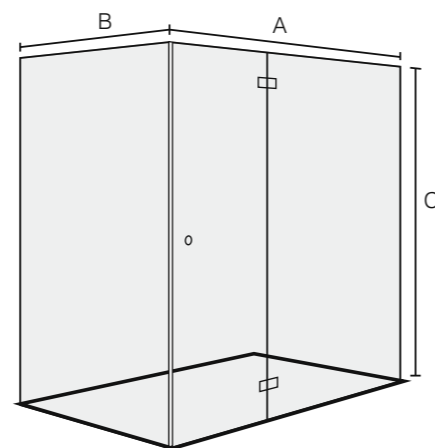
A	B	C
800	900	1950
800	1000	1950
800	1100	1950
800	1200	1950
800	1350	1950
800	1500	1950
900	1000	1950
900	1100	1950
900	1200	1950
900	1350	1950
900	1500	1950
1000	1100	1950
1000	1200	1950
1000	1350	1950
1000	1500	1950
1100	1200	1950
1100	1350	1950
1100	1500	1950
1200	1350	1950
1200	1500	1950
1350	1500	1950

Sizes available when used with a tiled floor

A	B	C
800	900	1950
800	1000	1950
800	1100	1950
800	1200	1950
800	1350	1950
800	1500	1950
900	1000	1950
900	1100	1950
900	1200	1950
900	1350	1950
900	1500	1950
1000	1100	1950
1000	1200	1950
1000	1350	1950
1000	1500	1950
1100	1200	1950
1100	1350	1950
1100	1500	1950
1200	1350	1950
1200	1500	1950
1350	1500	1950

Sizes available when used with an Albion Tray

A	B	C
1200	800	1995
1350	900	1995
1500	1000	1995



Sizes available when used with an Albion Tray

A	B	C
1200	800	1995
1350	900	1995
1500	1000	1995



# SQUARE SIDE ENTRY ENCLOSURES

# SQUARE CORNER ENTRY ENCLOSURES



1 4 4

For bathrooms big and small, take a look at the square format enclosure. With a wide range of sizes available, Albion have the shower solution for you. Use either on the low level Albion tray or, for additional size options, mount onto a tiled floor.

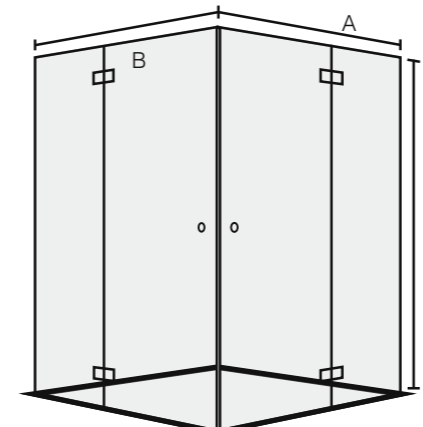
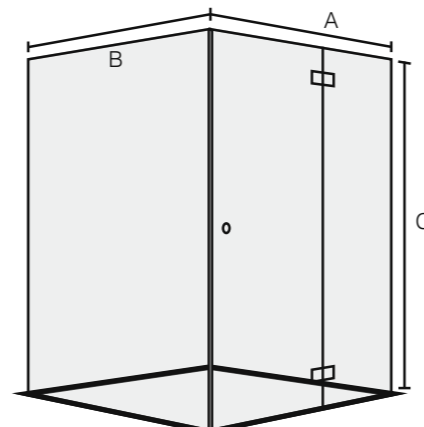
The square format with corner entry - this design will suit a variety of bathroom layouts and gives a wide choice of size options. For further information, please give us a call.

Sizes available when used with a tiled floor

A	B	C
800	800	1950
900	900	1950
1000	1000	1950
1100	1100	1950
1200	1200	1950
1350	1350	1950
1500	1500	1950

Sizes available when used with an Albion Tray

A	B	C
800	800	1995
900	900	1995
1000	1000	1995
1100	1100	1995



Sizes available when used with an Albion Tray

A	B	C
800	800	1995
900	900	1995
1000	1000	1995
1100	1100	1995

Sizes available when used with a tiled floor

A	B	C
800	800	1950
900	900	1950
1000	1000	1950
1100	1100	1950
1200	1200	1950
1350	1350	1950
1500	1500	1950



# DOOR AND PANEL FOR RECESS

For shower enclosures with three tiled walls, use the door and panel for recess option; there are seven size options available. The door can be mounted on either the left or right. Use with either a unique Albion shower tray, or directly onto a tiled floor.



# WALK-IN FOR RECESS

Another variation on the 'Walk-In' theme, use with three tiled walls and one of Albion's shower screen panels to create this enclosure. The entrance can be either left or right depending on your set up. Please call us on 01255 831605 for more information.



1 4 6

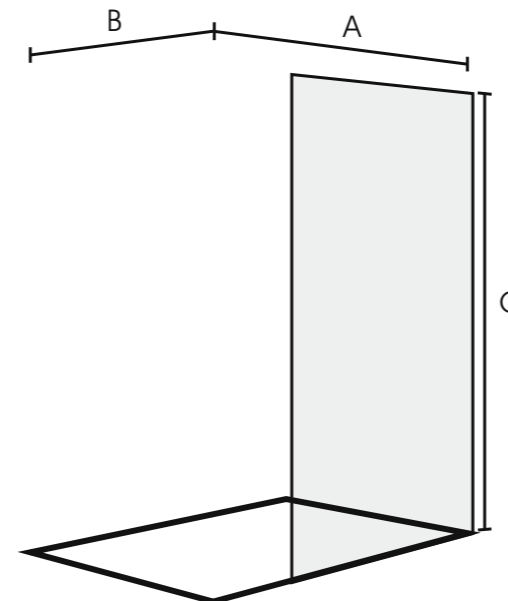
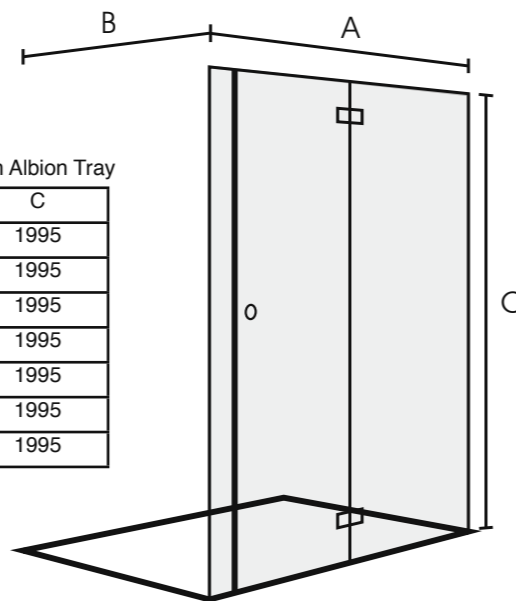
1 4 7

Sizes available when used with a tiled floor

A	B	C
800	N/A	1950
900	N/A	1950
1000	N/A	1950
1100	N/A	1950
1200	N/A	1950
1350	N/A	1950
1500	N/A	1950

Sizes available when used with an Albion Tray

A	B	C
800	800	1995
900	900	1995
1000	1000	1995
1100	1100	1995
1200	800	1995
1350	900	1995
1500	1000	1995



Sizes available when used with an Albion Tray

A	B	C
1350	900	1995
1500	1000	1995

Sizes available when used with a tiled floor

A	B	C
1350	N/A	1950
1500	N/A	1950

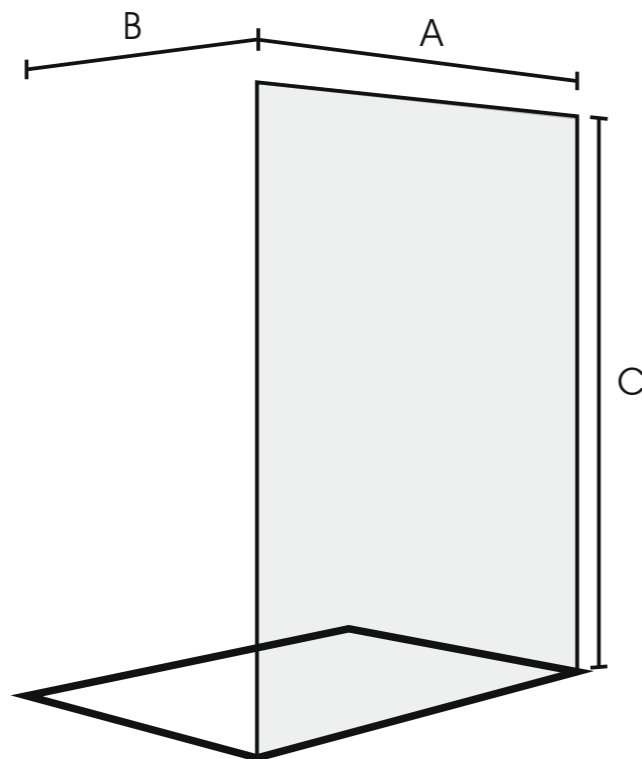


# WALK-IN END ENTRY

For simplicity, take a look at the Walk-In enclosure with end entry. To be used with the rectangular Albion shower trays or on a tiled floor. Simplicity and clean design are the hallmarks of this format.



148



Sizes available when used with an Albion Tray

A	B	C
1200	800	1995
1350	900	1995
1500	1000	1995

Sizes available when used with a tiled floor

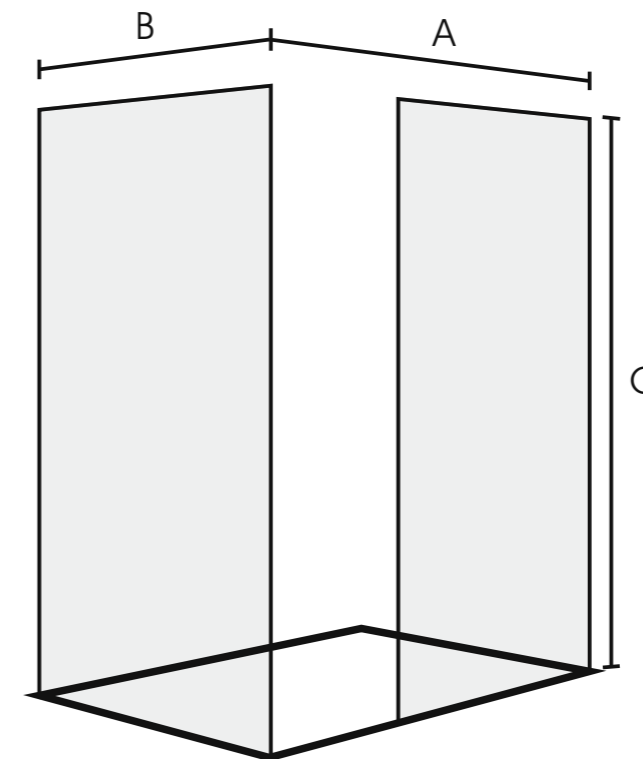
A	B	C
1200	N/A	1950
1350	N/A	1950
1500	N/A	1950

# WALK-IN SIDE ENTRY

Another variation on the 'Walk-In' theme. With the opening in the side, a different bathroom layout can be catered for. This unit can be fitted into a recess by deleting the side panel. Please call us for more information.



149



Sizes available when used with an Albion Tray

A	B	C
1350	900	1995
1500	1000	1995

Sizes available when used with a tiled floor

A	B	C
1350	N/A	1950
1500	N/A	1950



# TOWEL WARMERS & RADIATORS

From simple towel warmers to complete bathroom heating, Albion have the answer. With all classical and contemporary designs catered for, Albion towel warmers can be powered via your central heating or mains electricity. Finished in chrome, bright nickel or stainless steel, these products provide the ultimate finishing touch. Please consult our sales office for advice on required heat outputs.

“For ‘year round’ convenience, specify your towel warmer to be powered by central heating and electric. Warm, dry towels on demand!”

## AQUARIUS

Powered by:  
 - Central Heating only  
 - or Timed Electric only  
 - or Central Heating and Timed Electric

Finished in:  
 - Hard Chrome  
 - or Bright Nickel



Above: Aquarius Towel Rail & Radiator

A unique combination of functional towel radiators and effective bathroom heating. These units will provide storage for your towels together with a generous level of heat output to warm even the coldest of rooms. Their compact dimensions allow installation in otherwise redundant areas. As with other towel radiators in our range, these units are available finished in Hard Chrome or Bright Nickel. Normally powered from your central heating, these units can be powered by an electric element or a combination of both. Call us on 01255 831605 for information.

# BAROQUE & ARCADIA

Baroque and Arcadia represent the finest in classical towel warmers. Using generous 32mm diameter brass tube, these towel warmers can be powered via your central heating or mains electricity. Finished in Hard Chrome or Bright Nickel, these products provide the ultimate heating solution for your bathroom. Please consult us for advice on required heat outputs.

Powered by:  
 - Central Heating only  
 - or Timed Electric only  
 - or Central Heating and Timed Electric

Finished in:  
 - Hard Chrome  
 - or Bright Nickel



Left: Demi Baroque Rail and Radiator | Right: Arcadia Towel Warmer



# BALLERINA

**B**allerina wall or floor mounted towel warmers. Manufactured to BS2871 from the very highest quality brass tube and hot stamped fittings, these can be powered via your central heating or mains electricity. Finished in chrome, or bright nickel, these products provide the ultimate finishing touch. A vast range of sizes are available so please call us for further information.



152



Powered by:  
 - Central Heating only  
 - or Timed Electric only  
 - or Central Heating and Timed Electric

Finished in:  
 - Hard Chrome  
 - or Bright Nickel

Left: Ballerina 4 Rung Floor Mounted Towel Rail | Right: Ballerina 5 Rung Wall Mounted Towel Rail

# REGENCY

**R**egency wall or floor mounted towel warmer/radiators. Finished in Hard Chrome or Bright Nickel, these products provide the ultimate finishing touch. There are three options of energy supply to these radiators - hot water from your central heating, electric power via an electric element installed into the radiator or a combination of the two. This allows summer operation when your central heating is off. Please consult our sales office for advice on your required heat output as these radiators are available in a wide variety of sizes.

Powered by:  
 - Central Heating only  
 - or Timed Electric only  
 - or Central Heating and Timed Electric

Finished in:  
 - Hard Chrome  
 - or Bright Nickel



Left: Regency Nova Rail and Radiator



153

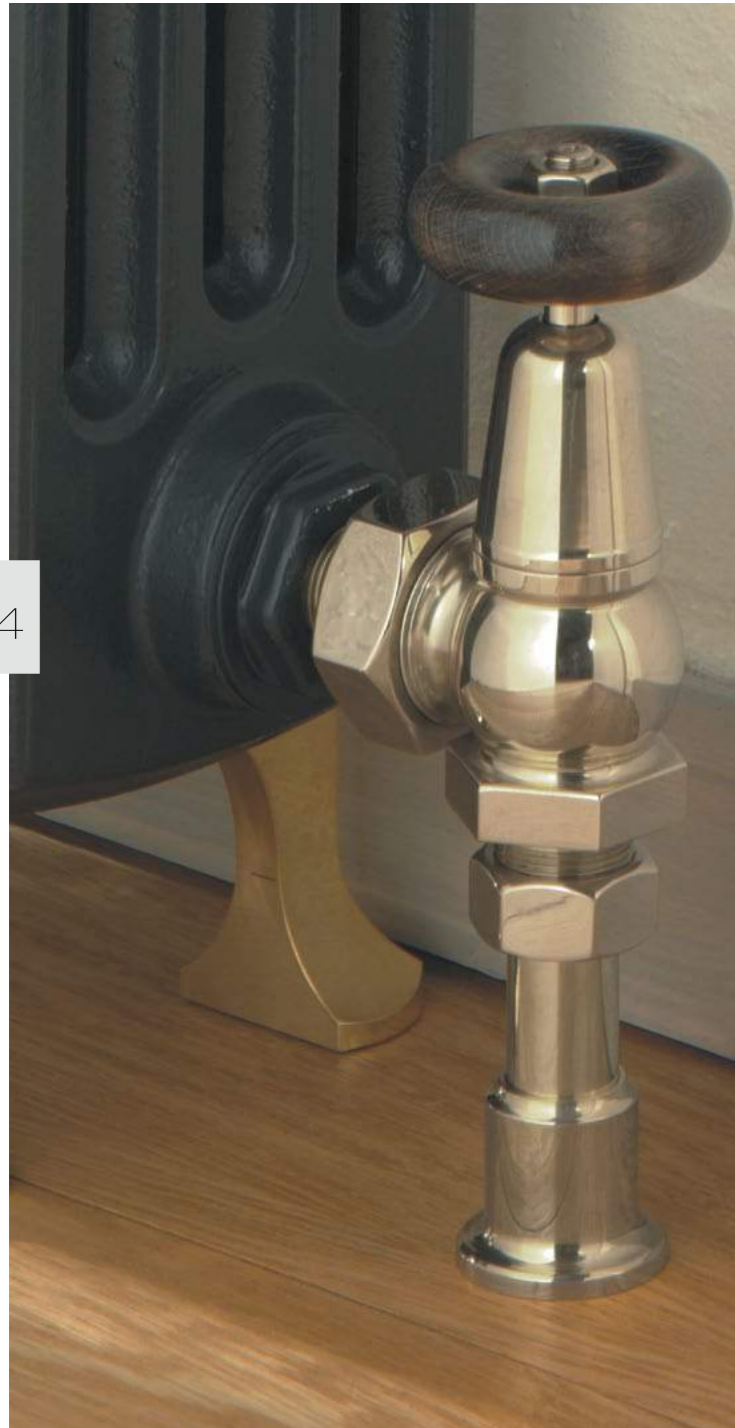


Top Right: Regency Floor Mounted Rail and Radiator  
 Bottom Right: Regency Wall Mounted Rail and Radiator



# RADIATOR VALVES

Essential and stylish. Choose from a variety of styles to compliment your radiator or towel warmer. Please specify if you require either straight or angled type valves to suit your installation when ordering. Finished in either Hard Chrome or Bright Nickel with appropriately plated 15mm supply tails to suit your towel rail or radiator.



Left: Excelsior Thermostatic Valve | Right, Top: Arne Angled Valve | Centre: Arne Straight Valve | Bottom: Crosshead Valve

# TOWEL WARMERS AND RADIATORS

## Useful Information

Q. Can an Albion Towel Warmer or radiator be fitted onto any heating system?

A. All products made of steel or iron can be fitted onto an open-vented, sealed central heating system. Products manufactured from brass can also be fitted onto the domestic hot water system.

Q. Can I use my towel warmer in the summer months without having to worry about turning on the entire central heating system?

A. Yes. As well as electric only models, Albion products can also come as dual energy models. This comes with an electric heater kit, so in the summer when your heating is switched off, the electric element is used to heat the unit, allowing you to enjoy the comfort and convenience of warm, dry towels.

Q. What if I don't know my heat output requirement?

A. The simple formula to find your required heat output in BTU/hr is to multiply the room's volume in cubic feet by 4. Therefore, length(in feet) x width (in feet) x height (in feet) x 4 = BTU/hr. If in doubt, give us a call.

Q. What does BTU mean?

A. BTU stands for British Thermal Units and is measured per hour, hence Btu/hr. In easy terms, the higher the number, the more heat the rail will produce. If you have a large bathroom and you want to heat the room as well as your towels, then you should go for a rail with a high Btu/hr rating.

Q. What if I don't have central heating?

A. The vast majority of the Albion towel warmer range can also be supplied as sealed-electric units. The same quality and craftsmanship goes into your product, but instead of fitting it to a heating system, it is merely wired into your mains. Always consult an electrician to ensure that the installation meets the required standards.

Q. Will a towel warmer also heat the room?

A. It all depends on the model of your choice. The higher the Btu/hr the more heat will be given off into the room. Please note, if the unit is covered with wet towels, the heat will be absorbed to dry them, therefore less heat will go into the room.

Ensure the space you have is of adequate dimensions and that suitable services can be directed to the location. Check you have sufficient room to accept the projection of the towel rail without impeding access or door opening etc. Always install a towel rail providing for suitable isolation. All Albion products must be installed in accordance with BS5449, BS7593 and BS7671 to avoid invalidation of the guarantee.



# POLISHED/PLATED PLUMBING FITTINGS

For that ultimate finishing touch, Albion can supply a wide range of plumbing fittings polished and plated in either Hard Chrome or Bright Nickel to complement your brassware. Available in most sizes and variations to replace standard plastic fittings as follows:



15 and 22mm pipe



15 and 22mm straight coupler



15 and 22mm straight ball-a-fix



15 and 22mm 90° ball-a-fix



15 and 22mm 90° elbow



35 and 42mm pipe



35 and 42mm straight coupler



35 and 42mm 90° elbow



35 and 42mm 135° elbow



15, 22, 35 and 42mm pipe wall clip



Bath Waste P-trap and 90° floor shroud kit



Traditional bottle trap and wall waste.  
(90° floor waste also available)



Modern classic bottle trap and wall waste kit



---

# ALBION PRIVATE SPA BODY PRODUCTS

Complete your luxury bathing experience

We have now introduced PRIVATE SPA, an exciting new range of body care products to complement our luxurious baths. Providing an escape from reality to a place of inner calm in today's unrelenting world, while being gentle enough to be used every

day or savoured for special occasions. Following Albion's mantra of the highest quality throughout, PRIVATE SPA doesn't disappoint. Each fragrance has been individually tailored to create a feeling of tranquillity, indulgence & opulence.



158

## About this brochure

Designed in the United Kingdom by The Albion Bath Co Ltd 2014.

This brochure is covered by copyright and cannot be reproduced in full or part without the written permission of The Albion Bath Co Ltd.

All products featured in this brochure are covered by copyright. Design specifications and styles are the property of The Albion Bath Co Ltd where applicable.

THE ALBION BATH CO LTD

2014 Brochure - (Volume no II)



# THE ALBION BATH CO LTD

THE FACTORY,  
HIGH BIRCH ROAD,  
WEELEY HEATH, ESSEX, ENGLAND  
CO16 9BU

TELEPHONE: 01255 831605

FACSIMILE: 01255 831327

E-MAIL: [INFO@ALBIONBATHCO.COM](mailto:INFO@ALBIONBATHCO.COM)

VISIT US AT: [WWW.ALBIONBATHCO.COM](http://WWW.ALBIONBATHCO.COM)

COPYRIGHT 2014. REPRODUCTION PROHIBITED